



T&S BRASS AND BRONZE WORKS, INC.

2 Saddleback Cove / P.O. Box 1088
Travelers Rest, SC 29690



REG. #A2601
ISO #9001

Model No.

B-1115-LN

Item No.

Travelers Rest, SC: 800-476-4103 Simi Valley, CA: 800-423-0150 Fax: 864-834-3518 www.tsbrass.com

This Space for Architect/Engineer Approval

Job Name _____ Date _____

Model Specified _____ Quantity _____

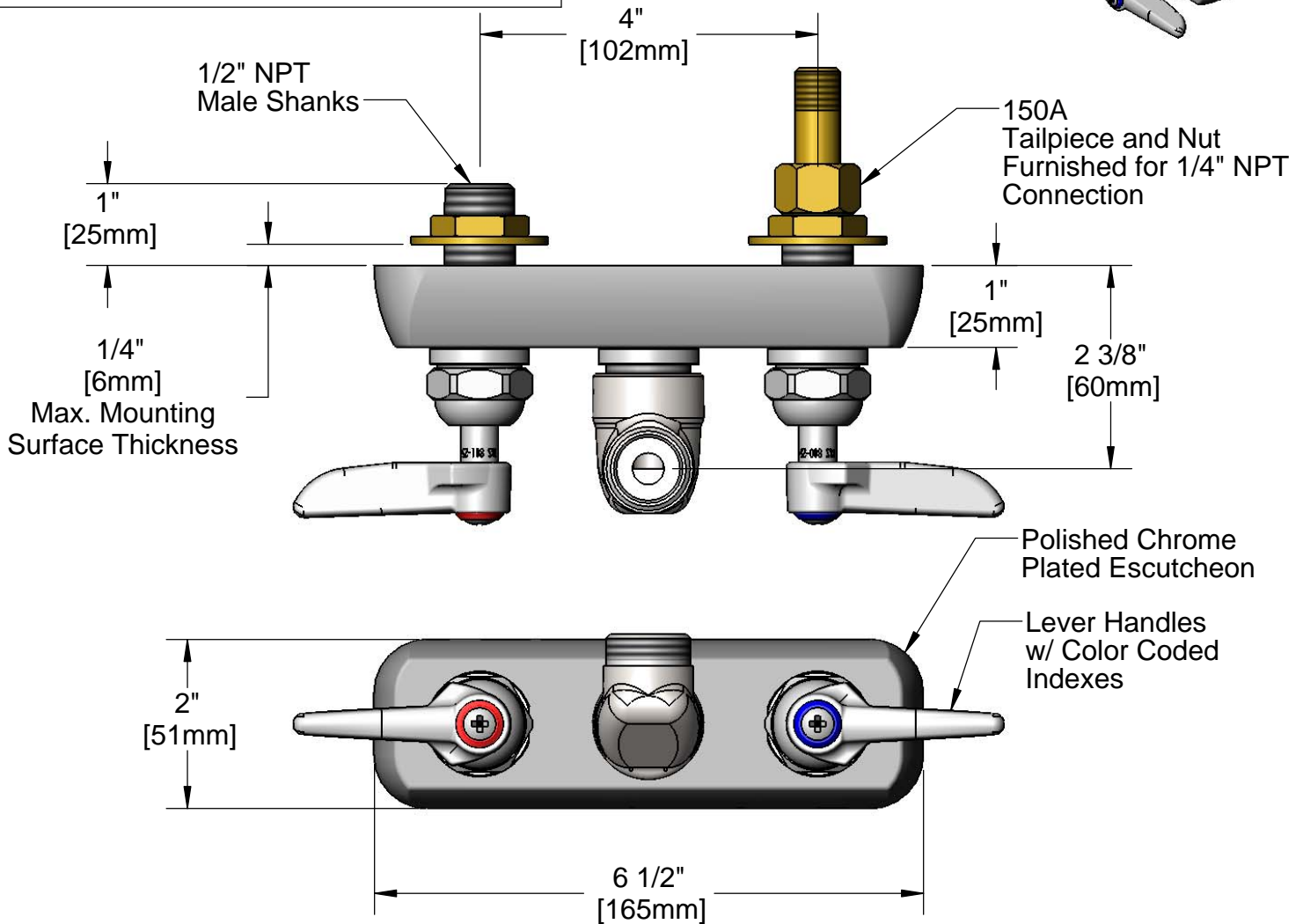
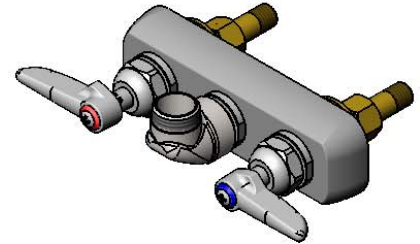
Customer/Wholesaler _____

Contractor _____

Architect/Engineer _____



ADA Compliant



B-1100-K Elbow Kit Sold Separately. Contains (2) 1/2" NPT Male 90° Elbows

Note: Rough-In Requirement
(2) ϕ 1" [25mm] Mounting Holes

Product Specifications:

4" Inlet Centers Wall Mount Workboard Faucet Less Nozzle
w/ Lever Handles & 1/2" NPT Male Shanks

Drawn KJG	Checked DHL	Approved JHB
Scale: 1:2		Date: 07/29/11



T&S BRASS AND BRONZE WORKS, INC.

2 Saddleback Cove / P.O. Box 1088
Travelers Rest, SC 29690



REG. #A2601
ISO #9001

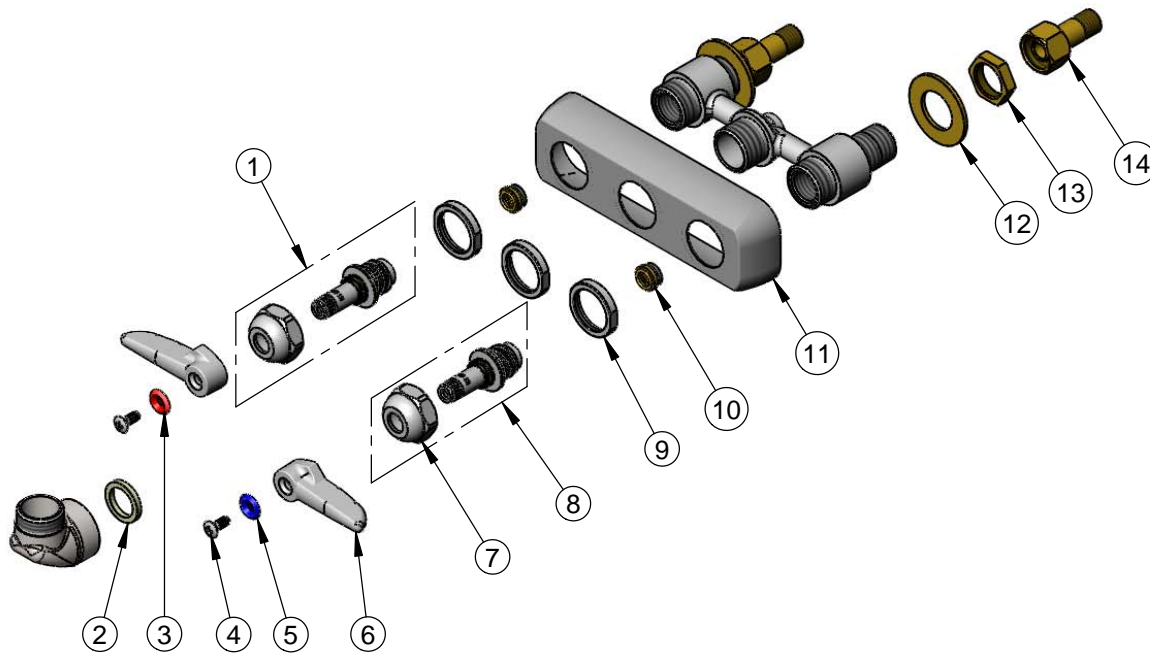
Model No.

B-1115-LN

Item No.

Travelers Rest, SC: 800-476-4103 Simi Valley, CA: 800-423-0150 Fax: 864-834-3518 www.tsbrass.com

ITEM NO.	SALES NO.	DESCRIPTION
1	009754-25	B-1100 Spindle Assembly, (LTC)
2	001017-45	Washer
3	001661-45	Red Index-HW
4	000922-45	Lever Handle Screw
5	001660-45	Blue Index-CW
6	001638-45	Lever Handle
7	009749-25	Bonnet Nut
8	009753-25	B-1100 Spindle Assembly, (RTC)
9	000712-25	Escutcheon Lock Nut
10	000763-20	Seat
11	001258-40	Escutcheon
12	000999-45	Brass Lock Washer
13	002954-45	Shank Lock Nut
14	150A	1/4" NPT Tailpiece & Nut



Product Specifications:

4" Inlet Centers Wall Mount Workboard Faucet Less Nozzle
w/ Lever Handles & 1/2" NPT Male Shanks

Drawn KJG	Checked DHL	Approved JHB
Scale: NTS		Date: 07/29/11