



T&S BRASS AND BRONZE WORKS, INC.

2 Saddleback Cove / P.O. Box 1088
Travelers Rest, SC 29690

Model No.

B-0121

Item No.

Travelers Rest, SC: 800-476-4103 • Simi Valley, CA: 800-423-0150 • Fax: 864-834-3518 • www.tsbrass.com

This Space for Architect/Engineer Approval

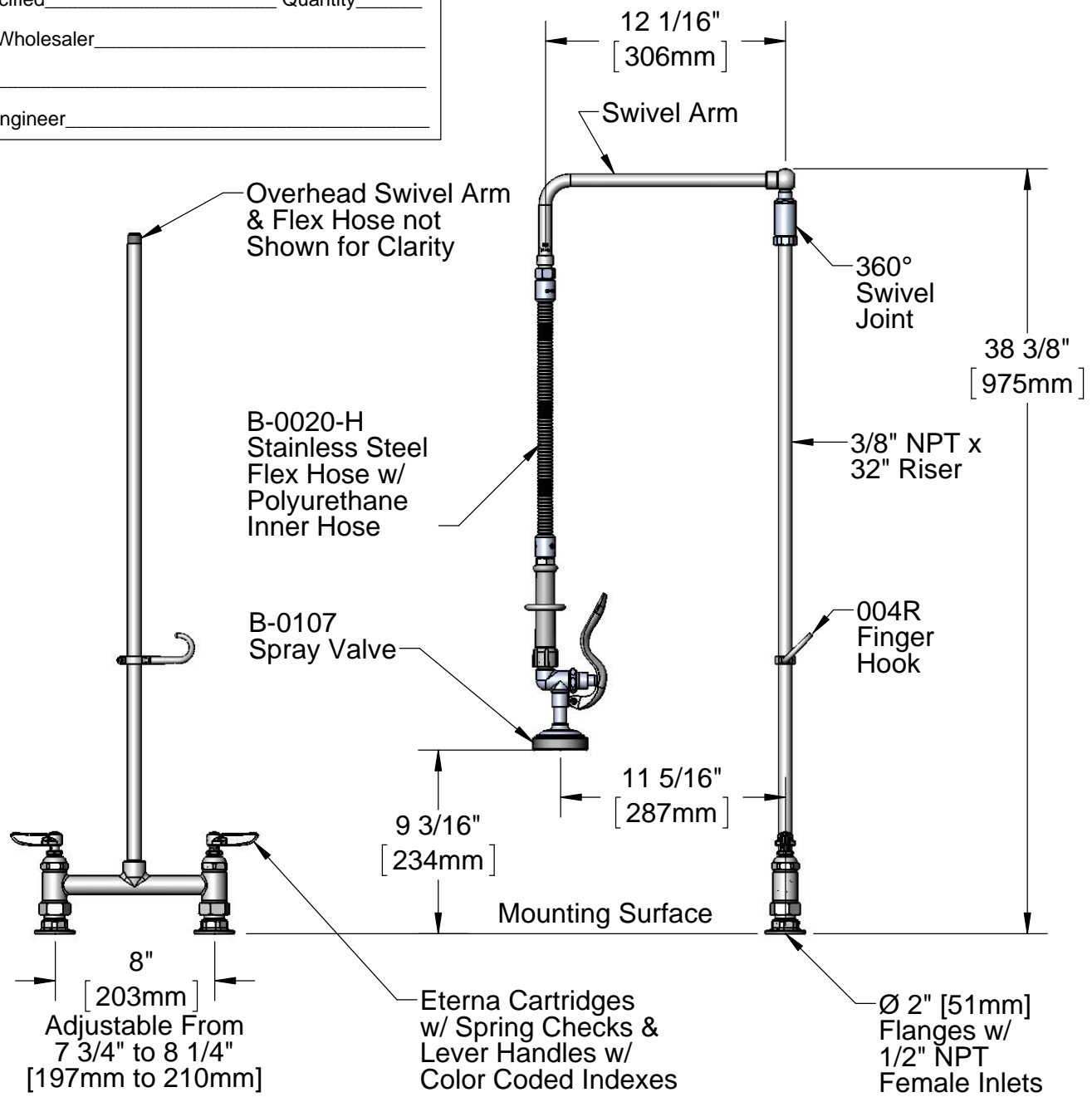
Job Name _____ Date _____

Model Specified _____ Quantity _____

Customer/Wholesaler _____

Contractor _____

Architect/Engineer _____



Product Specifications:
8" c/c Deck Mount Mixing Faucet, 12" Overhead Swivel Arm, Eterna Cartridges w/ Spring Checks, Lever Handles, B-0107 Spray Valve & 1/2" NPT Female Inlets

Drawn DHL	Checked GEF	Approved JHB
Scale: 1:8		Date: 02/03/12



T&S BRASS AND BRONZE WORKS, INC.

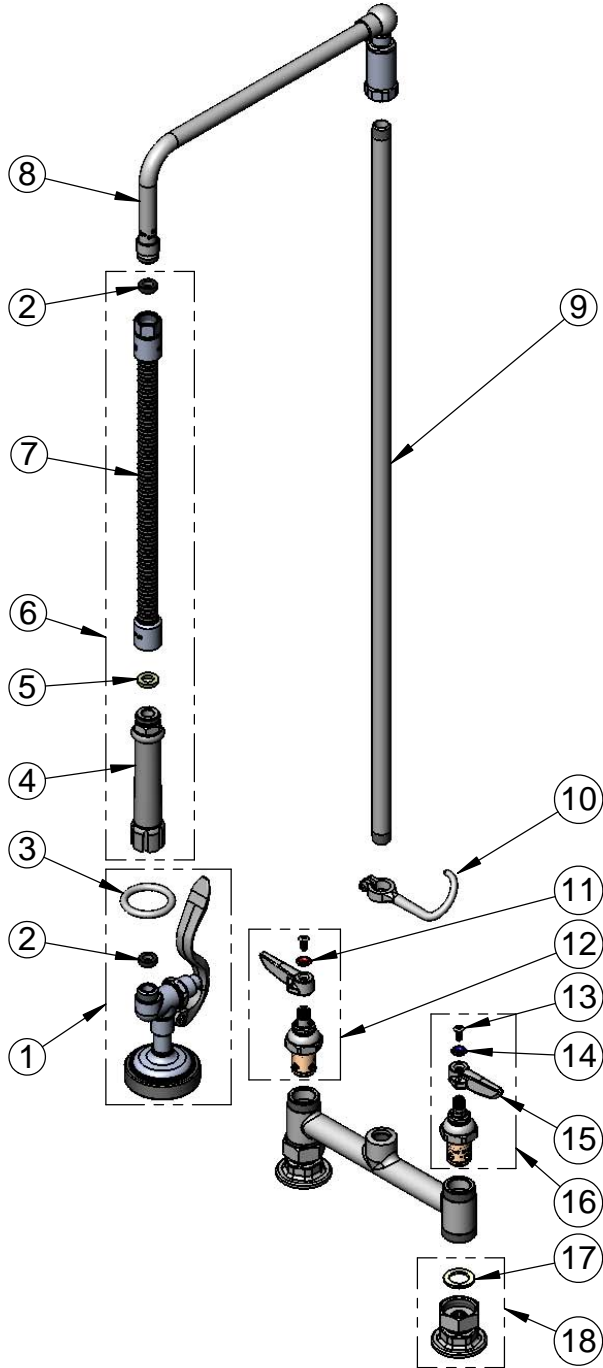
2 Saddleback Cove / P.O. Box 1088
Travelers Rest, SC 29690

Model No.

B-0121

Item No.

Travelers Rest, SC: 800-476-4103 • Simi Valley, CA: 800-423-0150 • Fax: 864-834-3518 • www.tsbrass.com



ITEM NO.	SALES NO.	DESCRIPTION
1	B-0107	Spray Valve Assembly
2	010476-45	#27 Washer
3	000907-45	Spray Valve Hold Down Ring
4	002987-40	Handle Grip
5	001014-45	Washer, B-0100 Hose Barrel
6	B-0020-H	20" Stainless Steel Flex Hose w/ Handle
7	B-0020-H2A	20" Stainless Steel Flex Hose - Less Handle
8	002882-40	12" Swivel L-Tube
9	000376-40	3/8" NPT x 32" Riser
10	004R	Finger Hook
11	001661-45	Red Index-HW
12	002712-40	Hot Eterna Cartridge (RTC) w/ Spring Check, Handle, Index & Screw
13	000922-45	Lever Handle Screw
14	001660-45	Blue Index-CW
15	001638-45	Lever Handle
16	002711-40	Cold Eterna Cartridge (LTC) w/ Spring Check, Handle, Index & Screw
17	001019-45	Coupling Nut Washer
18	00AA	Flange Assembly

Product Specifications:

8" c/c Deck Mount Mixing Faucet, 12" Overhead Swivel Arm, Eterna Cartridges w/ Spring Checks, Lever Handles, B-0107 Spray Valve & 1/2" NPT Female Inlets

Drawn

DHL

Checked

GEF

Approved

JHB

Scale:

NTS

Date:

02/03/12