



T&S BRASS AND BRONZE WORKS, INC.

2 Saddleback Cove / P.O. Box 1088
Travelers Rest, SC 29690



REG. #A2601
ISO #9001

Model No.

B-0293-14

Item No.

Travelers Rest, SC: 800-476-4103 • Simi Valley, CA: 800-423-0150 • Fax: 864-834-3518 • www.tsbrass.com

This Space for Architect/Engineer Approval

Job Name _____ Date _____

Model Specified _____ Quantity _____

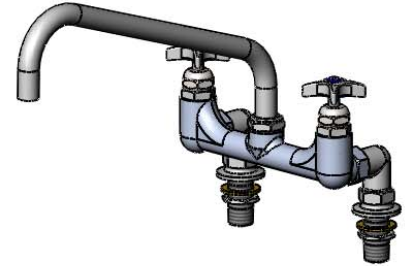
Customer/Wholesaler _____

Contractor _____

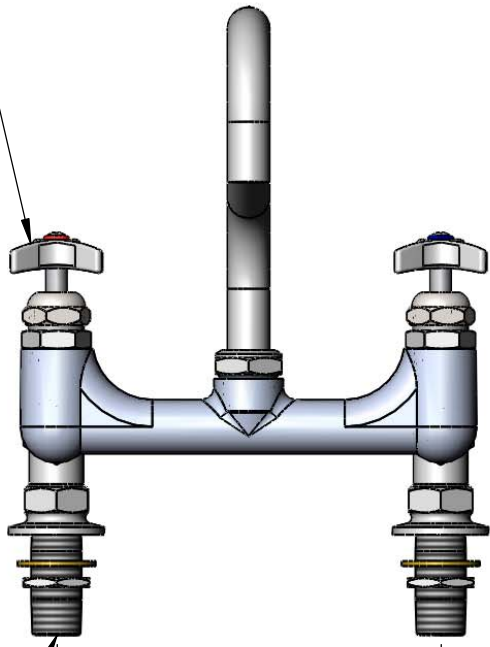
Architect/Engineer _____



ADA Compliant

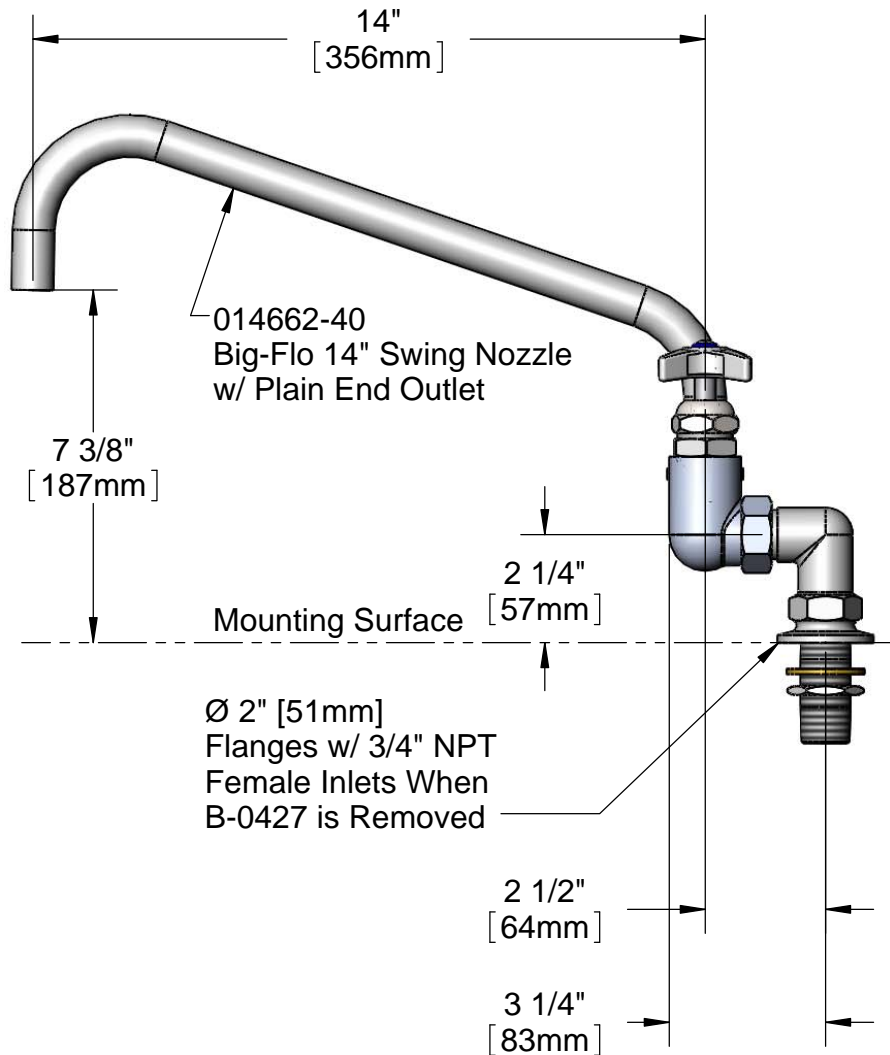


4-Arm Handles w/
Color Coded Indexes



B-0427
3/4" NPT Male
Supply Nipple Inlets

8"
[203mm]



Note: Rough-In Requirement

Ø 1 1/2" [38mm] Holes

Ø 1 1/4" [32mm] Minimum

Product Specifications:

Kettle & Pot Sink Mixing Faucet w/ Big-Flo 14" Swing
Nozzle, 4-Arm Handles & 3/4" NPT Male Supply Nipple
Inlets

Drawn

DHL

Checked

JRM

Approved

JHB

Scale:

1:4

Date:

05/31/11



T&S BRASS AND BRONZE WORKS, INC.

2 Saddleback Cove / P.O. Box 1088
 Travelers Rest, SC 29690



REG. #A2601
 ISO #9001

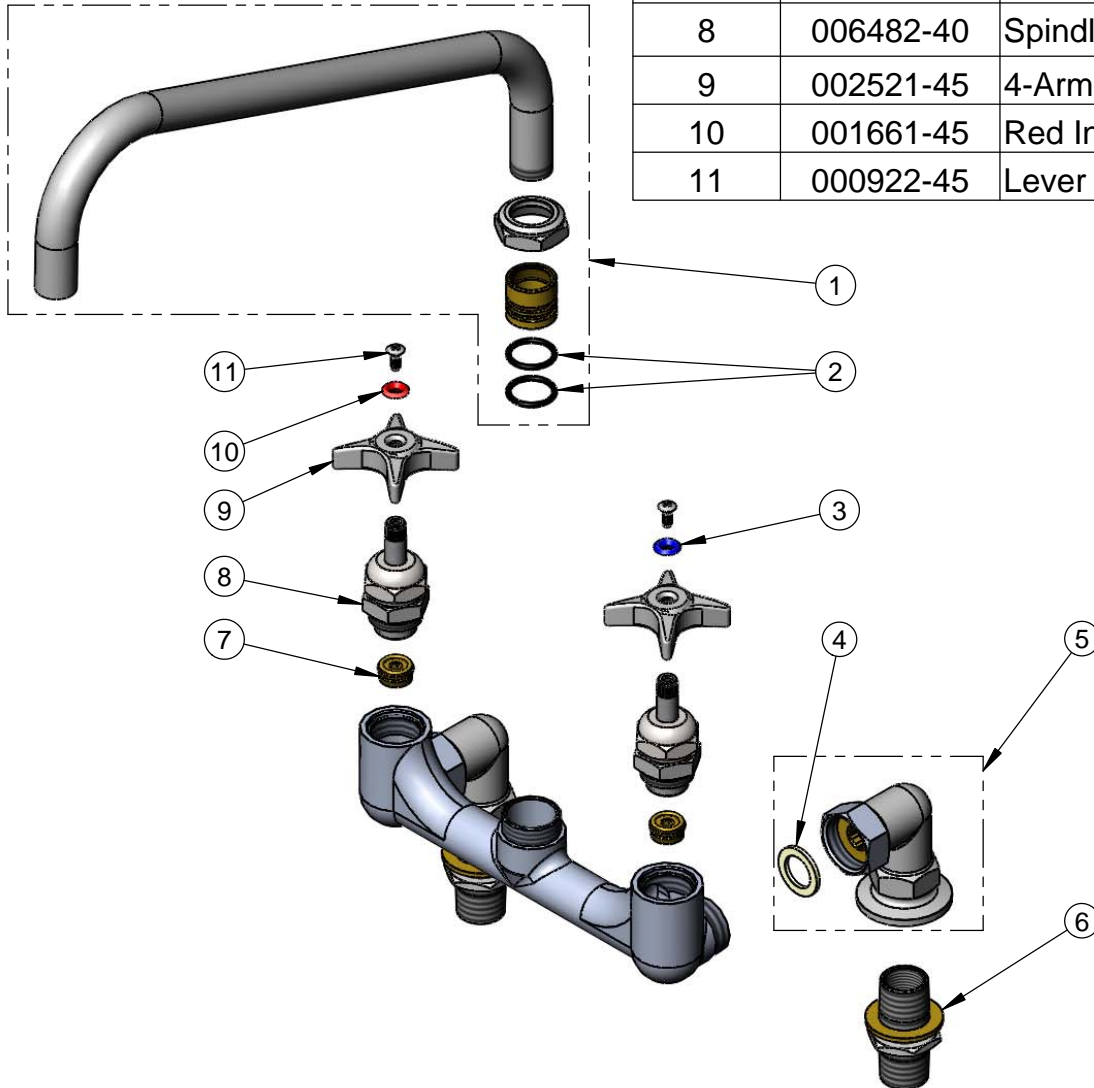
Model No.

B-0293-14

Item No.

Travelers Rest, SC: 800-476-4103 • Simi Valley, CA: 800-423-0150 • Fax: 864-834-3518 • www.tsbrass.com

ITEM NO.	SALES NO.	DESCRIPTION
1	014462-40	14" Big-Flo Swivel Nozzle
2	001068-45	O-ring, Size -118
3	001660-45	Blue Index-CW
4	001019-45	Coupling Nut Washer
5	00YY	Elbow Flange Assembly, 3/4" NPT Female
6	B-0427	3/4" NPT Supply Nipple
7	000764-20	Seat, B-290 RM
8	006482-40	Spindle Asm, B-0290 (RH)
9	002521-45	4-Arm Handle
10	001661-45	Red Index-HW
11	000922-45	Lever Handle Screw



Product Specifications:

Kettle & Pot Sink Mixing Faucet w/ Big-Flo 14" Swing Nozzle, 4-Arm Handles & 3/4" NPT Male Supply Nipple Inlets

Drawn

DHL

Checked

JRM

Approved

JHB

Scale:

NTS

Date:

05/31/11