



T&S BRASS AND BRONZE WORKS, INC.

2 Saddleback Cove / P.O. Box 1088
Travelers Rest, SC 29690



REG. #A2601
ISO #9001

Model No.

B-7102-08M

Item No.

Travelers Rest, SC: 800-476-4103 Simi Valley, CA: 800-423-0150 Fax: 864-834-3518 www.tsbrass.com

This Space for Architect/Engineer Approval

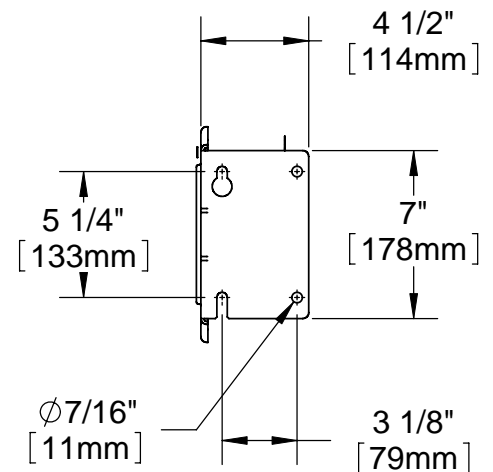
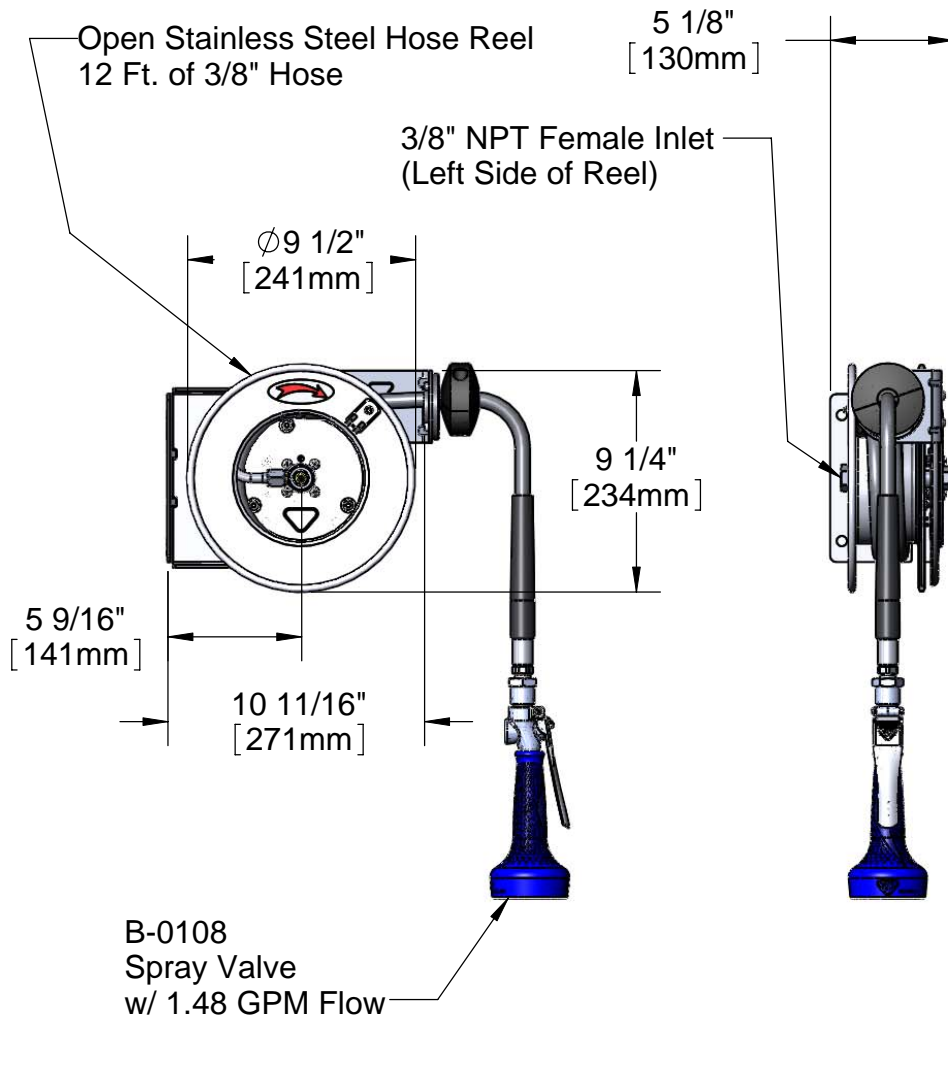
Job Name _____ Date _____

Model Specified _____ Quantity _____

Customer/Wholesaler _____

Contractor _____

Architect/Engineer _____



EPAct2005 COMPLIANT

Product Specifications:

Hose Reel System:
3/8" x 12 Ft. Open Stainless Steel Reel
B-0108 w/ 1.48 GPM Flow

Drawn	Checked	Approved
DMH	JRM	JHB
Scale:		Date:
1:8		05/04/10



T&S BRASS AND BRONZE WORKS, INC.

2 Saddleback Cove / P.O. Box 1088
Travelers Rest, SC 29690



REG. #A2601
ISO #9001

Model No.

B-7102-08M

Item No.

Travelers Rest, SC: 800-476-4103 Simi Valley, CA: 800-423-0150 Fax: 864-834-3518 www.tsbrass.com

ITEM NO.	SALES NO.	DESCRIPTION
1	B-0108	1.48 GPM Spray Valve
2	001014-45	Washer
3	016154-25	B-0108 3/8" NPT Hose Adapter
4	017938-45	3/8" x 12 Ft. Hose Replacement Kit
5	G016590-45	Hose Stop Repair Kit
6	017355-45	Swivel Repair Kit
7	014948-45	O-Ring Replacement Kit
8	017352-45	Guide Bushing Kit
9	017362-45	Spring Assembly
10	017359-45	Ratchet Lever Kit



Product Specifications:

Hose Reel System:
3/8" x 12 Ft. Open Stainless Steel Reel
B-0108 w/ 1.48 GPM Flow

Drawn DMH	Checked JRM	Approved JHB
Scale: NTS		Date: 05/04/10