

Celcook

CCM1200

CCM1800

CCM2100

Commercial Microwave Oven

Instruction Manual

Read these instructions carefully before using your microwave oven and keep in a safe place for future reference.

Please call Celco if you need assistance or for more information:

905-364-5200 / 1-866-772-3526

PRECAUTIONS TO AVOID POSSIBLE EXPOSURE TO EXCESSIVE MICROWAVE ENERGY

- (a) Do not attempt to operate this oven with the door open since door-open operation can result in harmful exposure to microwave energy.
- (b) Do not attempt to operate this oven if the door or latch are broken or tampered with. It is important not to damage or tamper with the safety interlock switches.
- (c) Do not place any object between the oven front face and the door or allow soil or cleaner residue to accumulate on sealing surfaces.
- (d) Do not operate the oven if it is damaged. It is particularly important that the oven door closes properly and that there is no damage to the:
 - (1) Door (bent)
 - (2) Hinges and latches (broken and/or loose)
 - (3) Door seals and sealing surfaces
- (e) The oven should not be adjusted or repaired by anyone except properly qualified service personnel.

SPECIFICATIONS

Model:	CCM1200	CCM1800	CCM2100
Rated Voltage	120V ~ 60Hz	208/230V ~ 60Hz	208-230V ~ 60Hz
Rated Input Power	2000W	3000W	3200W
Rated Output Power	1200W	1800W	2100W
Oven Capacity	0.6 cu. ft.	0.6 cu. ft.	0.6 cu. ft.
External Dimensions	13.39" H x 16.5" W x 22.2" D	13.39" H x 16.5" W x 22.2" D	13.39" H x 16.5" W x 22.2" D
Internal Dimensions	6.9" H x 13" W x 12" D	6.9" H x 13" W x 12" D	6.9" H x 13" W x 12" D
Weight	65 lbs	65 lbs	65 lbs

IMPORTANT SAFETY INSTRUCTIONS

When using electrical appliances basic safety precautions should be followed, including the following:

WARNING – To reduce the risk of burns, electric shock, fire, injury to persons or exposure to excessive microwave energy:

1. Read all instructions before using the appliance.
2. Read and follow the specific “PRECAUTIONS TO AVOID POSSIBLE EXPOSURE TO EXCESSIVE MICROWAVE ENERGY” found on page 2.
3. This appliance must be grounded. Connect only to properly grounded outlet. See “GROUNDING INSTRUCTIONS” found in this manual.
4. Install or locate this appliance only in accordance with the provided installation instructions.
5. Some products such as whole eggs and sealed containers (e.g. closed glass jars) are able to explode and should not be heated in this oven.
6. Use this appliance only for its intended use as described in this manual. Do not use corrosive chemicals or cleaners in this appliance. This type of oven is designed to heat or cook food. It is not designed for industrial or laboratory use.
7. As with any appliance, close supervision is necessary when used in public and by children.
8. Do not operate this appliance if it has a damaged cord or plug, if it is not working properly, or if it has been damaged or dropped.
9. This appliance should be serviced only by qualified service personnel. Contact nearest authorized service facility for examination, repair, or adjustment.
10. Do not cover or block any openings on the appliance.
11. Do not store this appliance outdoors. Do not use this product near water – for example by a kitchen sink, in a wet basement, near a swimming pool, or similar location.
12. Do not immerse cord or plug in water.
13. Keep cord away from heated surface.
14. Do not let cord hang over edge of counter or table.
15. When cleaning surfaces, or door, or parts of oven that comes together on closing of the door, use only mild, nonabrasive soaps or detergent applied with a sponge or soft cloth.

To Reduce The Risk Of Fire In The Cavity:

1. Do not overcook food. Carefully watch when paper, plastic, or other combustible materials are placed inside the oven.
2. Remove wire twist ties from paper or plastic bags before placing into the oven.
3. If material inside the oven ignites, keep the oven door closed, turn off the oven, and unplug the power cord. If plug not accessible, shut off power at the circuit breaker.
4. Do not use the cavity for storage purposes. Do not leave paper products, cooking utensils, or food in the cavity when not in use.

Caution – Liquids

Liquids, such as water, coffee, or tea, are able to be overheated beyond boiling point without appearing to be boiling. Visible bubbling or boiling when the container is removed from the microwave oven is not always present.

THIS COULD RESULT IN VERY HOT LIQUID SUDDENLY BOILING OVER WHEN THE CONTAINER IS DISTURBED OR A UTENSIL IS INSERTED INTO THE LIQUID

To reduce the risk of injury to persons:

- 1) Do not overheat the liquid
- 2) Stir the liquid both before and halfway through heating
- 3) Do not use straight-sided containers with narrow necks.
- 4) After heating, allow the container to stand in the microwave oven for a short time before removing the container.
- 5) Use extreme care when inserting a spoon or other utensil into the container.

SAVE THESE INSTRUCTIONS

GROUNDING INSTRUCTIONS

This appliance must be grounded. In the event of an electrical short circuit, grounding reduces the risk of electric shock by providing an escape wire for the electric current. This appliance is equipped with a cord having a grounding wire with a grounding plug. The plug must be plugged into an outlet that is properly installed and grounded.

WARNING – Improper use of the grounding can result in a risk of electric shock.

Consult a qualified electrician or serviceman if the grounding instructions are not completely understood, or if doubt exists as to whether the appliance is properly grounded. If it is necessary to use an extension cord, use only a 3-wire extension cord that has a 3 blade grounded plug, and 3 slot receptacle that will accept the plug on the appliance. The marked rating of the extension cord shall be equal to or greater than the electrical rating of the appliance.

DANGER – Electric Shock Hazard

Touching some of the internal components can cause serious personal injury or death. Do not disassemble this appliance.

WARNING – Electric Shock Hazard

Improper use of the grounding can result in electric shock. Do not plug into an outlet until appliance is properly installed and grounded.

1. A short power-supply cord is provided to reduce the risks resulting from being entangled in or tripping over a longer cord.
2. Longer cord sets or extension cords are available and may be used if care is exercised in their use.
3. If a long cord or extension is used:
 - a) The marked electrical rating of the cord set or extension should be at least as great as the electrical rating of the appliance.
 - b) The extension cord must be a grounding-type 3 wire.
 - c) The longer cord should be arranged so that it will not drape over the counter top where it can be pulled on or tripped over unintentionally.

SAFETY

1. The oven must be on a level surface.
2. Place food gently into the oven to avoid possible breakage of the ceramic plate.
3. Do not cook popcorn in a commercial microwave oven.
4. The oven has several built-in safety switches to ensure that the power remains off when the door is open. Do not tamper with these switches.
5. Do not operate the microwave when the oven is empty. Operating the oven with no food or food that is extremely low in moisture can cause fire, charring or sparking.
6. Do not cook bacon directly on the ceramic plate. Excessive local heating on the plate may cause it to break.
7. Do not heat baby bottles or baby food in the microwave oven. Uneven heating may occur and could cause physical injury.
8. Do not heat narrow-necked containers, such as syrup bottles.
9. Do not attempt to deep-fry in your microwave.
10. Do not attempt home canning in your microwave oven as it is impossible to ensure all contents of the jar have reached boiling temperatures, the liquids could boil over and cause burns, or the glass jars could break.
11. This microwave is designed for commercial use.
12. To prevent delayed eruptive boiling of hot liquids and beverages, or scalding yourself, stir liquid before placing the container into the oven and again halfway through cooking time. Let stand in the oven for a short time before removing the container.
13. Use carefully when cooking food in the microwave oven to avoid burning due to excessive cooking.
14. When used in a public setting, children should have supervised at all times due to temperatures generated.
15. Failure to maintain the oven in a clean condition could lead to deterioration that could adversely affect the life of the appliance and possibly result in a hazardous situation.

RADIO INTERFERENCE

1. Operation of the microwave oven may cause interference to your radio, TV or similar equipment.
2. When there is interference, it may be reduced or eliminated by taking the following measures:
 - a) Clean door and sealing surface of the oven
 - b) Reorient the receiving antenna of the radio or television
 - c) Relocate the microwave oven with respect to the receiver.
 - d) Move the microwave oven away from the receiver completely.
 - e) Plug the microwave oven into a different outlet so that the microwave oven and receiver are on different branch circuits.

CONTAINERS / UTENSILS

CAUTION - Personal Injury Hazard

Tightly closed containers could explode. Closed containers should be opened and plastic pouches should be pierced before cooking.

See the instructions on "MATERIALS YOU CAN USE IN MICROWAVE OVEN" and "MATERIALS TO BE AVOIDED IN MICROWAVE OVEN".

There may be certain non-metallic containers that are not safe to use for microwaving. Check the labelling on the container. If it says not safe for microwave use do not use it in the microwave.

If in doubt, you can test the utensil in question following the procedure below.

UTENSIL TEST:

1. Fill the container with 1 cup of cold water.
2. Cook on high power for 1 minute.
3. Carefully feel the container. If warm / hot, do not use for microwave cooking.
4. Do not exceed 1 minute of cooking time.

Materials To Avoid In A Microwave Oven

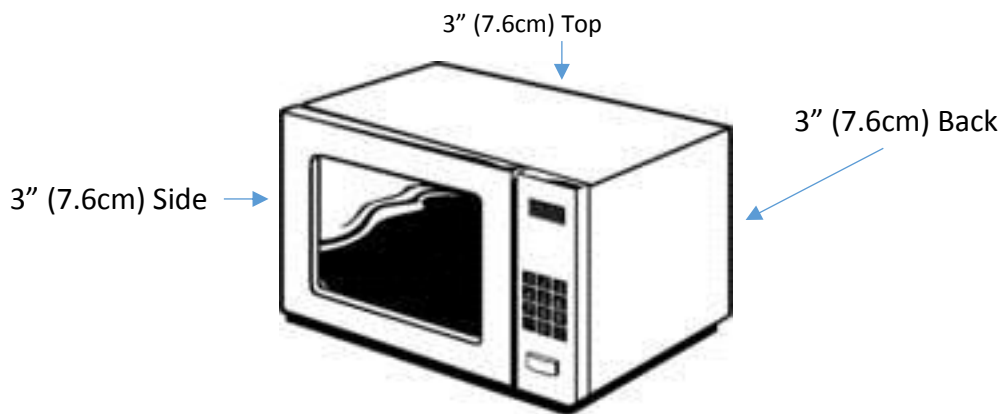
Aluminum Foil and Trays	May cause arcing. Transfer food into microwave safe dish. Could cause a fire in the oven.
Food Carton Metal Handle	May cause arcing. Transfer food into microwave safe dish. Could cause a fire in the oven.
Metal or Metal Trimmed	Metal shields the food from microwave energy. Metal and metal trim will cause arcing and possible fire.
Metal Twist Ties	May cause arcing and could cause a fire in the oven.
Paper Bags	May cause a fire in the oven.
Plastic Foam	Plastic foam may melt or contaminate the liquid inside when exposed to high temperature.
Wood	Wood will dry out when used in the microwave oven and may split or crack.

Countertop Installation

Remove all packing material and accessories. Examine the oven for damage such as dents or broken door. Do not install if oven is damaged. Remove any protective film found on the microwave cabinet surface.

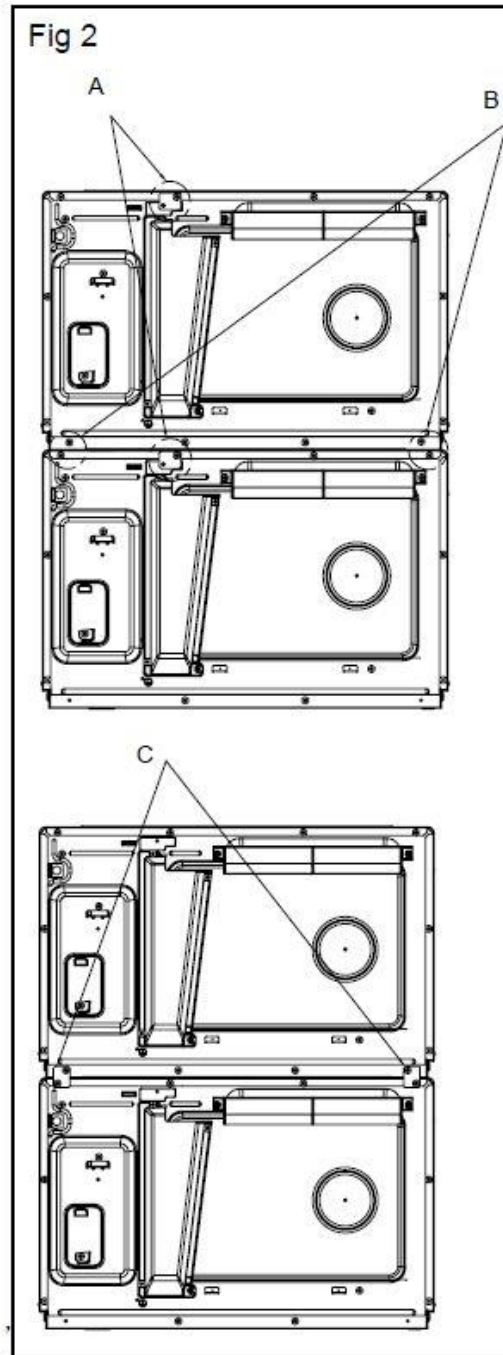
Installation

- 1) Select a level surface that provides enough open space for the intake and / or outlet vents (Figure 1).
- 2) Allow at least 3" (7.6cm) between air discharge on back of oven and back wall.
- 3) Allow at least 3" (7.6cm) around the top of the oven.
- 4) Allow at least 3" (7.6cm) of clearance around the side of the oven. One side of the oven must be open.
- 5) Never dismantle the appliances feet, nor block the air intake and exhaust opening.



- 1) Blocking the intake and/or outlet openings can damage the oven.
- 2) Place the oven as far away from radios and TVs as possible. Operation of microwave oven may cause interference to your radio or TV reception.
- 3) Plug your oven into an outlet making sure the voltage and frequency are the same as the voltage and frequency on the rating label.
- 4) Warning – the plug, socket, electric appliances or the appliance which are liable to be affected by heat and moisture should be kept away from any vents in the oven.

The appliance can be stacked (see Figure 2). Maximum stacking height is 2 ovens.



- A) Loosen screws from the stacking plate on the top and bottom oven and remove
- B) Remove 4 screws as shown in the picture.
- C) Put the stacking plate into place and fix into place with the screws.

Cleaning Instructions

ALWAYS KEEP THE OVEN CLEAN – INSIDE AND OUTSIDE

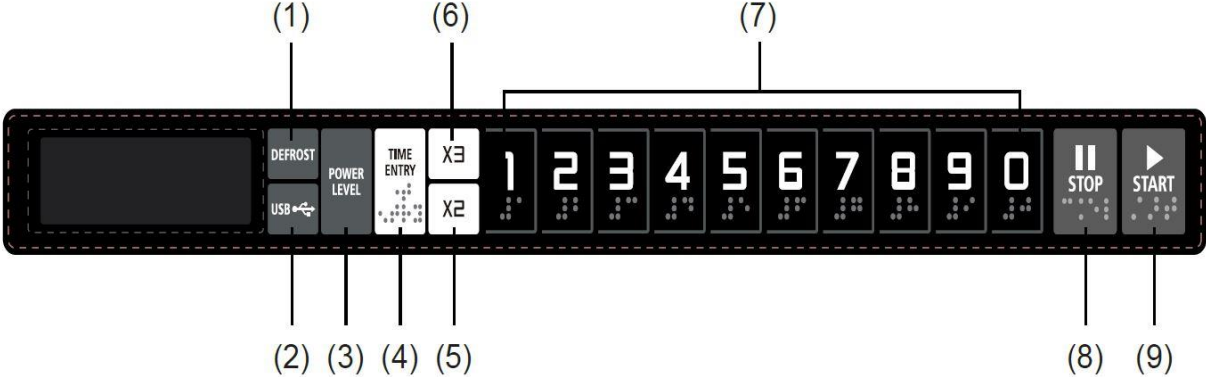
- 1) Clean the glass viewing window, the inner door panel and oven front face.
For best performance and to maintain the high degree of safety, the inner door panel and oven front face should be free of food or grease build-up. Wipe these areas with a mild detergent, rinse and wipe dry. Never use abrasive powders or pads.
- 2) Clean the control panel and plastic parts. Do not apply a detergent or an alkaline liquid spray to the control panel and plastic parts as this may cause damage to these parts. Use a dry cloth to clean these parts.
- 3) Clean the interior. After use be sure to clean up spilled liquids, splattered oil and food debris as quickly as possible. If the oven is used when dirty, efficiency drops and the dirt gets stuck / baked on, to the surfaces and may cause bad odours. Clean the interior with a cloth soaked in luke-warm water and a mild detergent dissolved in it, rinse off with clean water and towel dry.
- 4) Remove and clean the splatter guard (if applicable).
- 5) Remove and clean the filter (if applicable). Keep it clear and clean at all times. The appliance could overheat if blocked.
- 6) Do not use the oven without the splatter guard and air filter in place (if applicable).

CAUTION

Do not wipe plastic and painted sections of the oven with bleach, thinners, or other caustic cleaning agents as they may cause these parts to dissolve or become sharp.

OPERATION

Control Panel and Features



- (1) Defrost Button
- (2) USB Button
- (3) Power Level Button
- (4) Time Entry Button (with braille)
- (5) Double Quantity Button
- (6) Triple Quantity Button
- (7) Number Buttons (with braille)
- (8) Stop / Reset Button (with braille)
- (9) Start Button (with braille)

OPERATION INSTRUCTION

Appendix A

User Options (bolded items below are the default values)

Option	Setting	Description
1 End Of Cycle Tone	OP:10 OP:11 OP:12	3 Seconds Beep Continuous Beep 5 Quick Beeps Repeating
2 Beeper Volume	OP:20 OP:21 OP:22 OP:23	Beeper Off Low Medium High
3 Beeper On/Off	OP:30 OP:31	Keybeep Off Keybeep On
4 Keyboard Window Timeout	OP:40 OP:41 OP:42 OP:43	15 Seconds 30 Seconds 60 Seconds 120 Seconds
5 On The Fly	OP:50 OP:51	On The Fly Disabled On The Fly Enabled
6 Door Reset	OP:60 OP:61	Door Reset Disabled Door Reset Enabled
7 Max Time	OP:70 OP:71	60 Minutes Maximum Cook Time 10 Minutes Maximum Cook Time
8 Manual Programming	OP:80 OP:81	Manual Programming Disabled Manual Programming Enabled
9 Double Digit	OP:90 OP:91	Single Digit Mode – 10 Programs Double Digit Mode – 100 Programs
0 Clean Filter Reminder	OP:00 OP:01 OP:02 OP:03	Off – Never Display Weekly – Display Every 7 Days Monthly – Display Every 30 Days Quarterly – Display Every 90 Days

Appendix B

Default Cook Times

Button	Display (Time)	Power
1	0:10	100%
2	0:20	100%
3	0:30	100%
4	0:45	100%
5	1:00	100%
6	1:30	100%
7	2:00	100%
8	2:30	100%
9	3:00	100%
0	3:30	100%

Plug Unit In

- 1) ** 1800 and 2100 ovens only - When the oven is plugged in for the 1st time, the screen will display “230V Touch 1 208V touch 2”.
- 2) Press the number you need based on the power you have (230V press button 1, 208V press button2).
- 3) The power you have selected will show in the screen. Press Start to lock this selection in. The oven will now be in Idle Mode.

Idle Mode

- 1) The oven will enter idle mode if no keypad is activated and the door is not opened and closed. The time out is based on Option 4.
- 2) During Idle Mode, the LED is blank and there is no oven activity.
- 3) Opening and closing the oven door exits Idle Mode into Ready Mode.

Ready Mode

- 1) Opening and closing the door while in Idle Mode will put the oven into Ready Mode.
- 2) During Ready Mode, "READY" displays in the LED.
- 3) You can now operate the oven in Manual Mode or Pre Set Mode.
- 4) In Ready Mode, only the lamp and fan are working.

Door Open Mode

- 1) While the door of the oven is open, the oven shall be in Door Open Mode.
- 2) During this mode, the LED is blank. The fan and the oven light work.
- 3) When the door is closed, if User Option OP:60 is selected and the oven was running a manual or preset cook cycle, the oven shall enter into Pause Mode. In all other cases, the oven shall return to Ready Mode. With User Option OP:61 selected, opening and closing the door will clear out any information of a manual or preset cook cycle that was running.

Pause Mode

- 1) While in Manual Cook Mode, or Preset Cook Mode, if the door is opened or closed, or if the STOP/Reset pad is pressed, the oven will enter Pause Mode.
- 2) While paused, the LED will display the remaining cook time.
- 3) Only the fan and light work.
- 4) Pause Mode will expire back to Ready Mode, based on User Option 4. Additionally, if the STOP/Reset button is pressed, the oven shall immediately enter Ready Mode. If the Start Pad is pressed the oven will go into working mode.

Manual Cook Entry Mode

- 1) Allows the user to manually enter a cook time and power level.
- 2) During this mode 00:00 displays in the LED.
- 3) Press the numbers pads to enter the manual cooking time required. The oven will work at 100% unless power level changed.
- 4) To select a power level other than 100%, press the Power Level Button followed by the number for the power level you require:
 - 0 = 0%
 - 1 = 10%
 - 2 = 20%
 - 3 = 30%
 - 4 = 40%
 - 5 = 50%
 - 6 = 60%
 - 7 = 70%
 - 8 = 80%
 - 9 = 90%
- 5) Press Start to initiate the Manual Cook Mode.
- 6) If you make a mistake or change your mind, press STOP/Reset to return to Ready Mode.

Manual Cook Mode

- 1) Pressing Start will cause the oven to begin the Manual Cook Entry you entered.
- 2) During this mode, remaining cooking time displays and counts down in the LED. The fan and light work.
- 3) When cooking is finished, the oven will enter End Of Cook Cycle Mode. If you press Stop/Reset while in this mode, the oven will enter Pause Mode.

End Of Cook Cycle Mode

- 1) After the time has expired in a Manual Cook Mode, or a Preset Program Cook Mode, the oven shall go into End Of Cook Cycle Mode.
- 2) During this mode, END displays in the LED.
- 3) If User Option OP:11 or OP:12 is selected the oven shall continue to sound until the user acknowledges this by either opening the door or pressing STOP/Reset. If User Option OP:10 is selected, after 3 seconds the oven shall go into Ready Mode and the display will read "READY".

Preset Program Mode

- 1) This mode allows cooking of food items through a one pad touch operation. While in Ready Mode, pressing one of the ten (10) digit pads on the keyboard will cause the oven to run the Preset Program on that pad.
- 2) The LED displays the remaining cook time and counts down.
- 3) When the program finishes, the oven will enter End Of Cook Cycle Mode.

On The Fly Cooking

- 1) While the oven is cooking or under Pause Mode, if User Option OP:51 is selected press number buttons, the preset cooking program will start automatically.
- 2) The LED displays the remaining cooking time.
- 3) When cooking program is finished, the oven will enter End Of Cook Cycle Mode.

Time Defrost Function

- 1) In Ready Mode, press the Defrost Button, the screen will display "00:00".
- 2) Use the number pads to input the time you wish to run the defrost cycle. The maximum time is 99:99.
- 3) Press Start to begin defrosting. The oven is operating at 20% power level.
- 4) When the defrost time has ended, the oven will beep and the words "DONE" will display in the LED.

Programming Mode

This mode allows the user to assign cook times and power levels to the one touch pads. User Option OP:90 allows for 10 single digit touch programs. User Option OP:91 allows for 100 double digit touch programs.

NOTE: When using programmed cycles, food should be in the oven before selecting the program as the program will start automatically after it is selected. You do not require to press Start.

- 1) Open the oven door and press and hold pad 1 for 5 seconds. Release when the buzzer sounds and the word ProG shows in the LED display.
- 2) Press the numbered pad, 0-9 that you wish to program. The LED will display what is currently programmed.
- 3) Use the number pads to enter the time you wish to program into this pad.
- 4) Press Power Level and then the number for the % required (0-9). If no power level selected it will set to 100% (the default).
- 5) After you have set the time and power level you require for your program press the Start pad and the cooking program is now saved. The LED will now say ProG again.
- 6) If the cooking time you are trying to set exceeds the allowed time for the oven, when you press Start to save the oven buzzer will sound briefly 3 times to alert you and the oven will return to ProG. The program will not have saved and you will need to return to the pad you were programming and change the setting.
- 7) From ProG you can now program other pads for Preset Cooking Programs or you can close the oven door and the oven will return to ready Mode.
- 8) If you press STOP/Reset during your programming the oven will return to Ready Mode and your program will not be saved.
- 9) If a pad has no program saved to it, when you press the pad from Ready Mode, the oven buzzer will sound and no cook cycle will start.

NOTE: If there is a power cut, no programs will be lost. If the oven is unplugged, no programs will be lost. If the oven is unplugged and moved no programs will be lost.

Double / Triple Quantity Cooking

- 1) Under Ready Mode, press X2 (double) or X3 (triple) and then press number buttons 0-9. In 5 seconds, the oven will start cooking with the quantity preset cooking time now multiples by 2 or by 3.
- 2) Press X2 and double displays in the LED. Press X3 and triple displays in the LED. When you press the number pads, the LED will display the preset time multiplied by X2 or X3.
Example: Pad 5 is set for 1 minute. Press X2 then pad 5 and the 1:00 becomes $(1:00 \times 2) = 2:00$
Example: Pad 5 is set for 1 minute. Press X3 then pad 5 and the 1:00 becomes $(1:00 \times 3) = 3:00$
- 3) When the cooking program finishes, the oven will enter End Of Cook Cycle Mode.
- 4) To Change the X2 or X3 factor for a pre-program, when you pre-program the pad, press X2 or X3 during the programming and the LED will show CF:XX (if default it will show as CF:10 – 100%). Use the number and save along with the program. This will change the cook factor for this pad only.

Stage Cooking Programming

This allows the user to cook food items in a combination of various Power levels on 1 pad.

- 1) Three (3) stages can be set under manual cooking mode or in program mode. Total time of the 3 stages cannot exceed the maximum cook time allowed per pad.
- 2) After setting the time and power level for Stage 1, press Time Entry to get to Stage 2, and the same to get to Stage 3, setting time and power level for each stage.
- 3) When you press Time Entry S2 or S3 will display in the LED.
- 4) If in manual mode, press Start to start cooking. If in program mode, press Start to lock in the program.
- 5) The LED will show the total time of the 3 stages in the display when the program is started.

Factory Reset

In Ready Mode, press START and 0 at the same time. The buzzer will sound once and CHECK will display in the LED. The screen will display 11 if in factory-default and after 3 seconds the oven will return to READY mode. If 00 displays, the oven is not in factory-default. Press Start, the display will show CLEAR and screen will display 11. Press STOP to return to ready mode.

User Option Mode

- 1) Open the oven door and press pad 2 until the buzzer sounds and OP:-- displays in the LED.
- 2) Using the chart on Page 11, select the pad for the option you wish to change. The option will display in the LED with the current selection showing. If correct press Start to save. Screen returns to OP:--
- 3) If you wish to change, press the same pad until the User option number is displayed and then press Start to save.
Example: To change the buzzer under Option 2, press pad 2. Default if never changed the display will show OP:22. Press 2 again to go through OP:23 OP:20 OP:21, stopping when you see the option you require. Press Start to save.
- 4) During the process if you press STOP/Reset you will exit Options Mode and no changes will be saved.
- 5) When you have made and saved all your changes, close the door and the oven will be back in Ready Mode.
- 6) If you do not press Start at the end of each change, it will not save and the previous setting will be enabled.

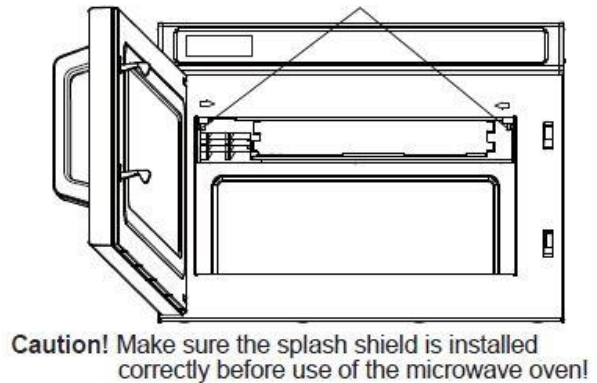
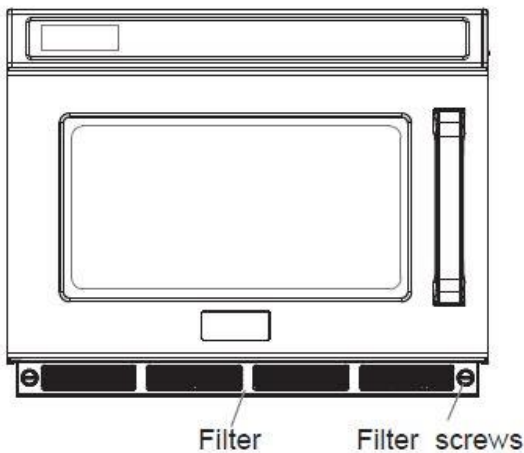
USB Function – Upload File from USB to The Oven

- 1) During Ready Mode, insert the USB disk that you saved a “UTABLE” file from the software.
- 2) Press USB button to upload the data from the USB to the oven. LOADING displays in the LED.
- 3) If the update is successful the screen will display SUCCESS. Otherwise FAIL will display.
- 4) Press STOP or open the door to finish the process.

Filter Cleaning Function

- 1) If any filter option other than User Option OP:00 (no reminder) is selected, when the number of days have passed the clean filter reminder will display in the LED.
- 2) You can now remove and clean the filter.
- 3) To clear out the reminder, press and hold the STOP button for 3 seconds. If you do not do this, the oven will keep reminding you, even if you clean the filter.

How To Remove and Install The Filter



Turn the metal screws left to loosen them

Take off the filter

To re-install, align the filter to the holes and turn the screws right to tighten

How To Remove and Install The Grease Splatter Guard

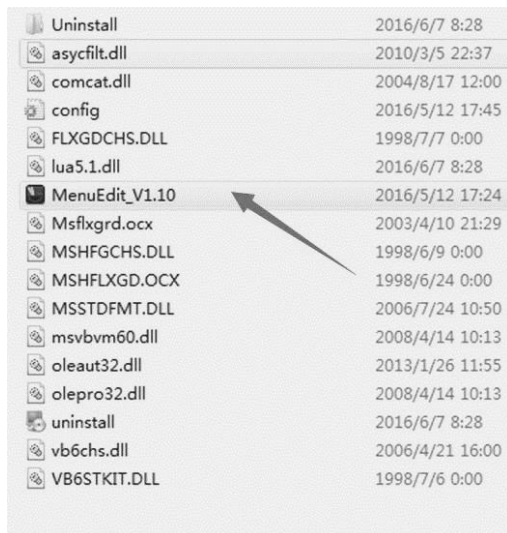
- 1) With your thumbs in the 2 positions in the front of the splatter guard. Push in and down to release the guard from the roof of the oven.
- 2) Wash in mild soap, rinse and dry.
- 3) Place the guard inside the oven. Lift into place, being careful not to bang or bend the antenna. Position the pins into the holes at the back 1st, then push into place, at the front for a tight but movable locked position.

How To Set Up The U-Disk (USB)

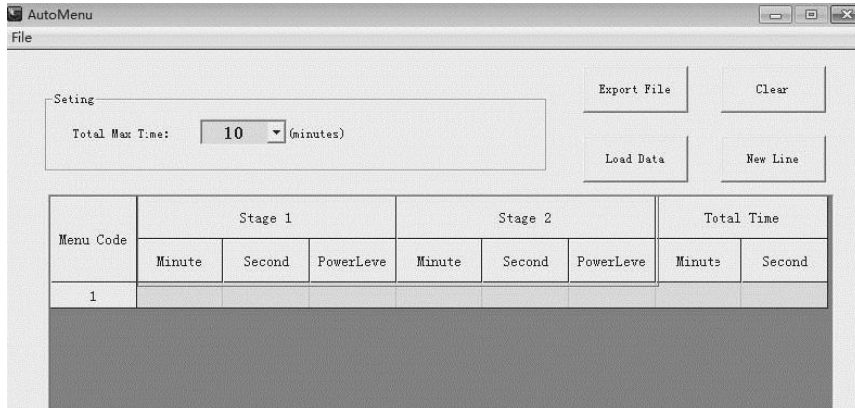
- 1) Insert the U Disk (that came with the oven) to computer and open file called "Setup"



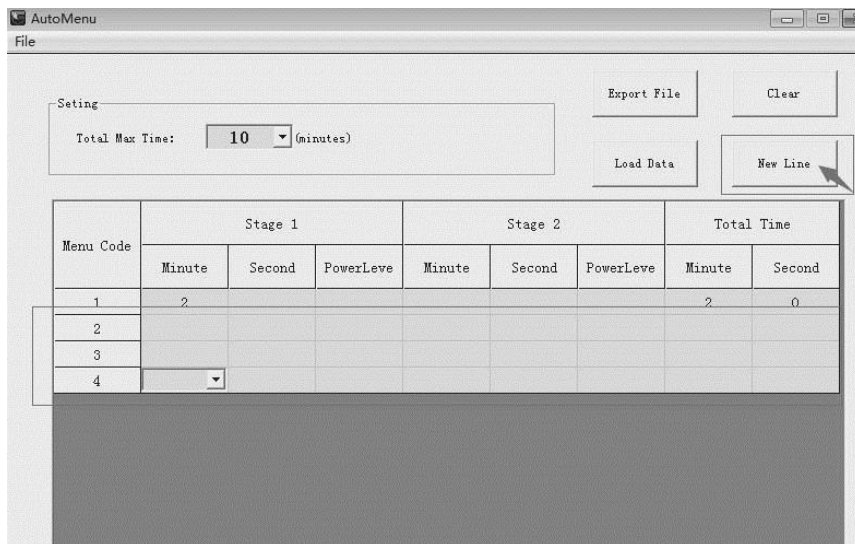
- 2) Double-click "MenuEdit" to enter editable interface.
(Recommendation: Right-click and choose "Run As Administrator")



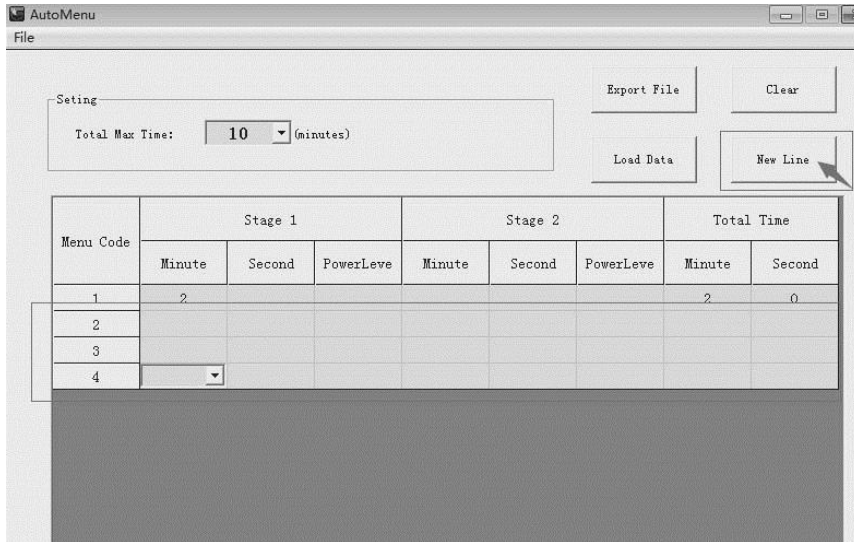
3) Set the maximum cooking time of Menu / Recipe #1



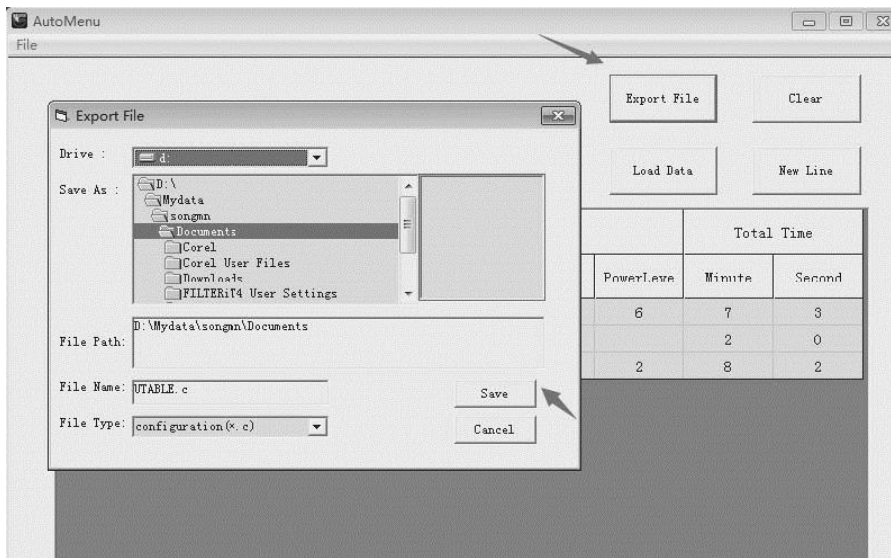
4) Set the first recipe, two stages of cooking can be maximally set. And you can set the cooking time and power.



5) Click “New Line” to create the second menu, the third menu, the fourth menu ... And 20 menus can be maximally set.



6) Click “Export File” to export the file to UDisk. The file will be named “UTABLE.C”. Then click “save” to finish the setting



Trouble Shooting

	Normal
Microwave Oven Interfering with TV Reception	Radio and TV reception may be interfered with when microwave oven is operating. It is similar to the interference of small electrical appliances like mixer, vacuum, or electric fan. It is Normal.
Dim Oven Light	In low power microwave cooking, oven light may become dim. It is normal.
Steam accumulating on door, hot air out of vents	In cooking, steam may come out of food. Most will get out from vents. But some may accumulate on cool places like the oven door. It is normal.

Oven started accidentally with no food inside	You should not run your oven with no food inside it is very dangerous.
--	---

Trouble	Possible Cause	Remedy
Oven cannot be started	1) Power cord not plugged in tightly	Unplug. Plug back in after 10 seconds.
	2) Fuse blowing or circuit breaker not working	Replace the fuse or reset breaker – this must be done by a professional
	3) Trouble with outlet	Test outlet with other electrical appliances
Oven does not heat	Door not closed properly	Close door properly

PN: 16170000A55657