



Project:

Item Number:

Quantity:

## UNIVERSAL ELECTRIC CHAFER HEATER



Electric chafer heater shown in 46255 New York, New York® chafers.



### MODELS

46060\* Domestic 120V AC

46110\* Europe 230V AC

46115\* UK 230V AC

*\*Fits all Vollrath chafers except for 46030, 46328, 46430, 46850*

### FEATURES

- Designed to maintain the proper serving temperature without the need for open flame.
- Sized to fit standard fuel cup openings.
- Spring-loaded element maintains full contact with the water pan for efficient heat transfer.
- Lighted switch glows when heater is turned on (US model).
- Choose from two power settings – LO: 160 watts and HI: 275 watts.
- Only one chafers heater needed per full size chafers if set on "HI" and water level does not exceed 1/8" (0.8 cm)
- 6-ft. (183 cm) long grounded cord.

### DESCRIPTION

Update your existing chafers to the convenience of electric heat. Vollrath's Universal Electric Chafers Heater is designed to maintain the proper serving temperature without the need for open flame.

### Agency Listings - Vollrath Universal Heaters



**WARRANTY:** All models shown come with Vollrath's standard warranty against defects in materials and workmanship. For full warranty details, please refer to the Vollrath Equipment and Smallwares Catalog.

*Due to continued product improvement, please consult [www.vollrathco.com](http://www.vollrathco.com) for current product specifications.*

Approvals	Date



Setting the Standard™

[www.vollrathco.com](http://www.vollrathco.com)

The Vollrath Company, L.L.C.  
1236 North 18th Street  
Sheboygan, WI 53081-3201 U.S.A.  
Customer Service: 800.628.0830  
Canada Customer Service: 800.695.8560  
Main Fax: 800.752.5620 or 920.459.6573

Technical Services: 800.628.0832  
Technical Services Fax: 920.459.5462

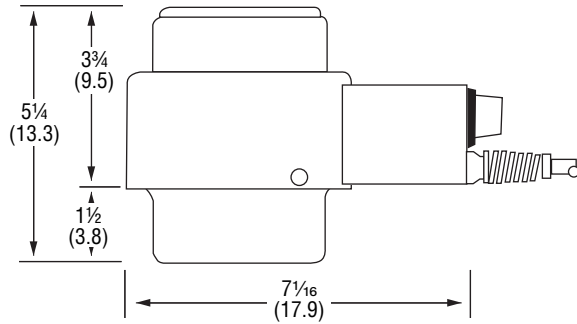
# UNIVERSAL ELECTRIC CHAFER HEATER

## MODELS

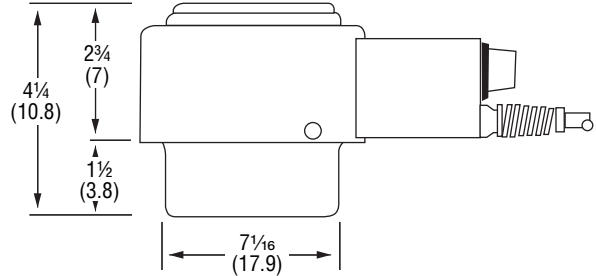
46060	Domestic 120V AC
46110	Europe 230V AC
46115	UK 230V AC

## DIMENSIONS

☐ Dimensions in inches (cm).



Fully Extended



Fully Compressed

## SPECIFICATIONS

Model	kW Rating	Volts	Amps	Plug	Shipping Dimensions IN (CM)	Shipping Weight LB (KG)
46060	160/275	120V AC	2.3	5-15P	5 1/4 x 10 1/4 x 6 1/4 (13.3 x 26 x 15.9)	4 (1.8)
46110	120/230	230V AC	1.0	Schuko	5 1/4 x 10 1/4 x 6 1/4 (13.3 x 26 x 15.9)	4 (1.8)
46115	120/230	230V AC	1.0	UK	5 1/4 x 10 1/4 x 6 1/4 (13.3 x 26 x 15.9)	4 (1.8)

### Receptacles

