



T&S BRASS AND BRONZE WORKS, INC.

2 Saddleback Cove / P.O. Box 1088
Travelers Rest, SC 29690

Model No.

B-1230-12

Item No.

Travelers Rest, SC: 800-476-4103 • Simi Valley, CA: 800-423-0150 • Fax: 864-834-3518 • www.tsbrass.com

This Space for Architect/Engineer Approval

Job Name _____ Date _____

Model Specified _____ Quantity _____

Customer/Wholesaler _____

Contractor _____

Architect/Engineer _____

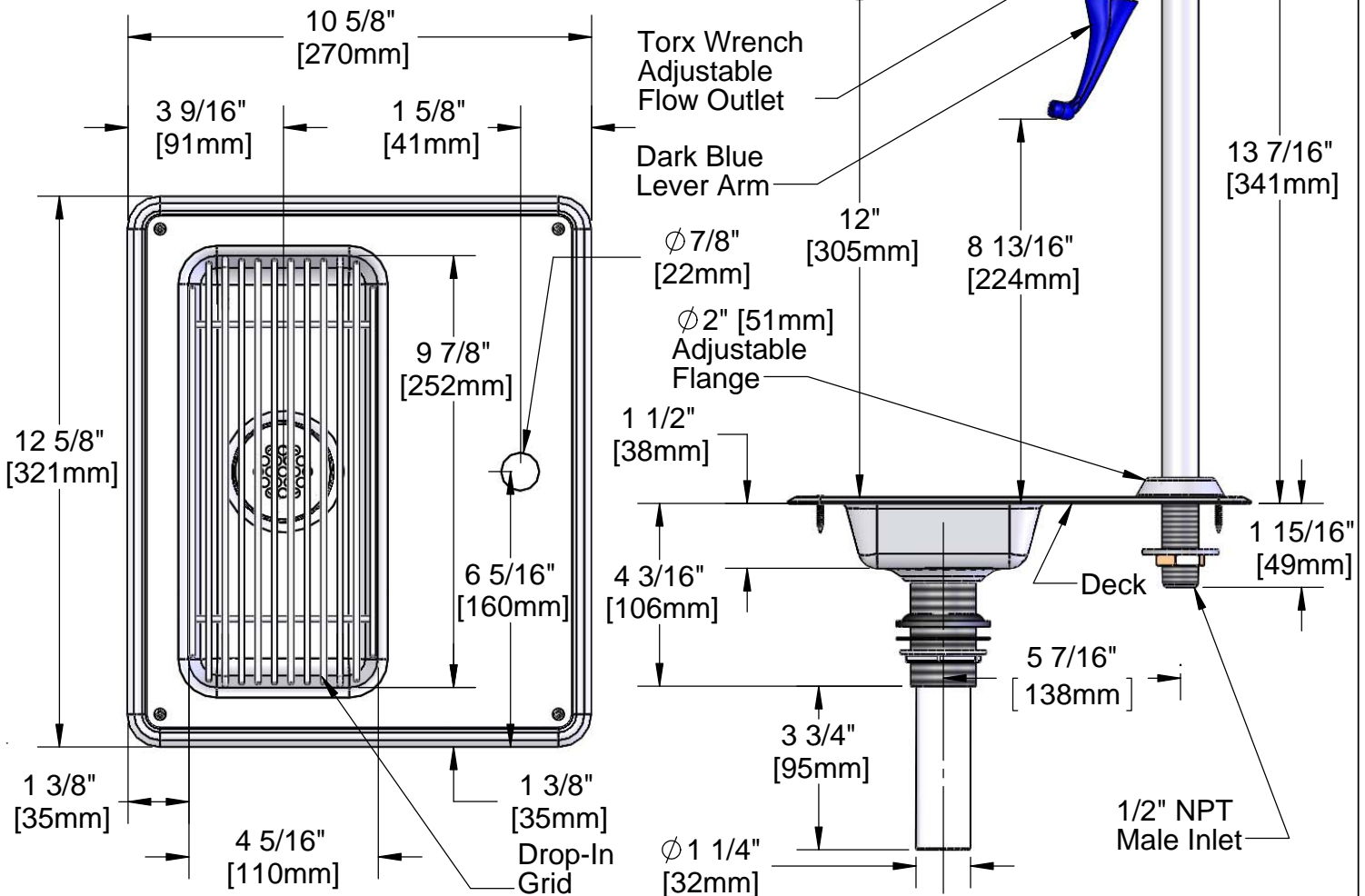


ADA Compliant



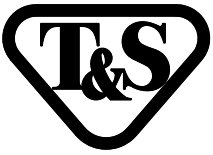
Note:

- 18 Gauge Stainless Steel Pan w/ Beaded Edge
Supplied w/ Mastic & Stainless Steel Screws for Mounting.
- Suggested Cut-Out Size for Pan is 10-1/2" x 5". Customer to Verify Actual Cut Out Needed Prior to Installation.



Product Specifications:
Water Station w/ B-1210-12 Pedestal Type Glass Filler, 18 Gauge Stainless Steel Drip Pan, & 1-1/4" Drain

Drawn JRM	Checked DMH	Approved JHB
Scale: 1:4		Date: 01/24/13



T&S BRASS AND BRONZE WORKS, INC.

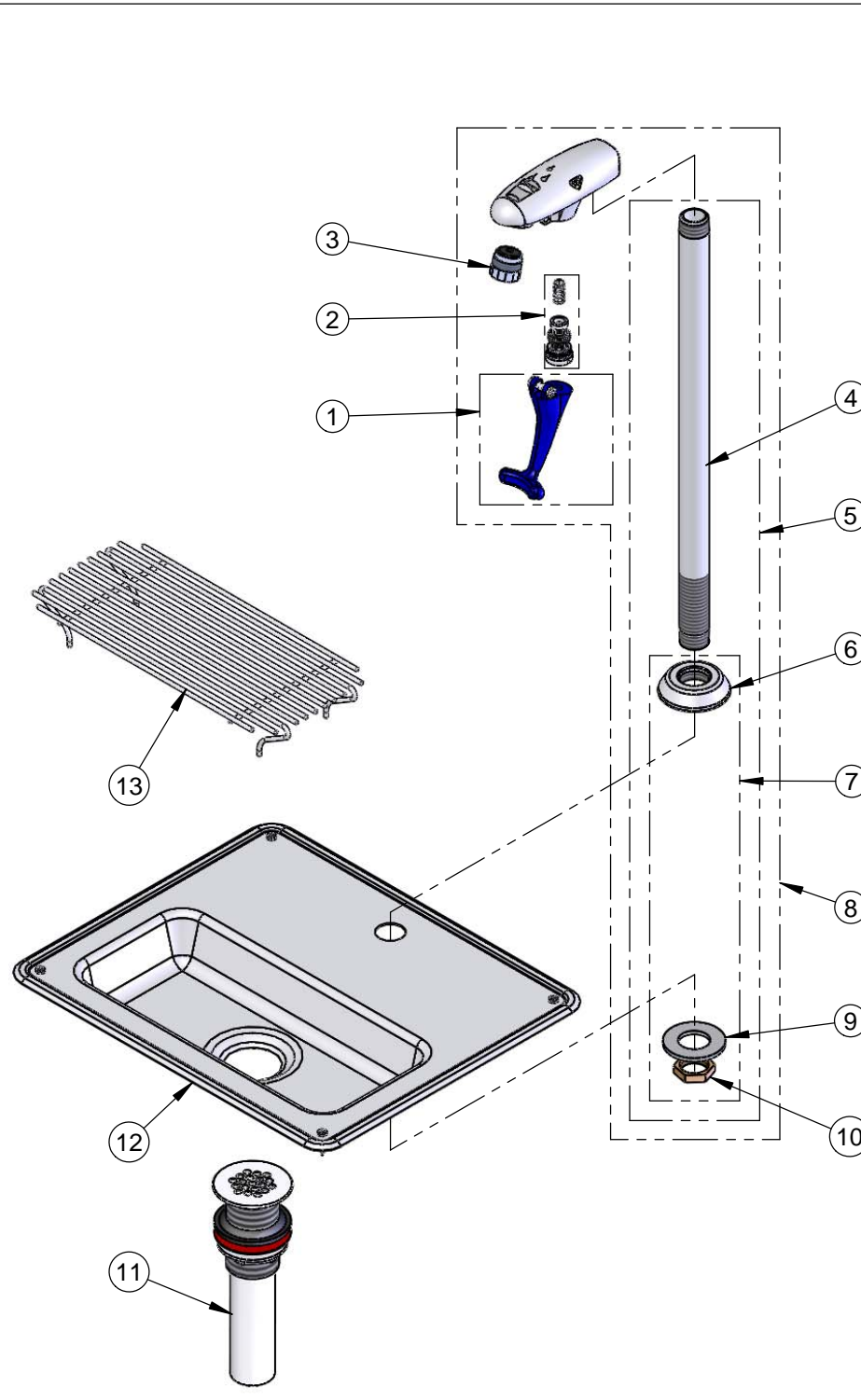
2 Saddleback Cove / P.O. Box 1088
Travelers Rest, SC 29690

Model No.

B-1230-12

Item No.

Travelers Rest, SC: 800-476-4103 • Simi Valley, CA: 800-423-0150 • Fax: 864-834-3518 • www.tsbrass.com



ITEM NO.	SALES NO.	DESCRIPTION
1	015550-45	Trigger, Glass Filler
2	015589-40	Valve Assembly
3	015588-40	Adjustable Outlet w/ Torx Wrench
4	015890-40	12" Pedestal, 1/2" NPT Male
5	015891-40	12" Pedestal Assembly
6	000024-45	Glass Filler Flange
7	016783-40	Adjustable Deck Flange Repair Kit
8	B-1210-12	12" Pedestal Glass Filler
9	001033-45	Pedestal Washer
10	002954-45	Shank Lock Nut
11	010126-45	Drip Pan Drain
12	010123-45	Drip Pan
13	183F	Drip Pan Grid



Product Specifications:
Water Station w/ B-1210-12 Pedestal Type Glass Filler, 18 Gauge Stainless Steel Drip Pan, & 1-1/4" Drain

Drawn	Checked	Approved
JRM	DMH	JHB
Scale:	Date:	
NTS	01/24/13	