

T&S BRASS AND BRONZE WORKS, INC.

2 Saddleback Cove / P.O. Box 1088
Travelers Rest, SC 29690

Model No.

MPZ-8DCN-08

Item No.

Travelers Rest, SC: 800-476-4103 • Simi Valley, CA: 800-423-0150 • Fax: 864-834-3518 • www.tsbrass.com

**EPA Act 2005 Compliant
For Commercial Use Only**

This Space for Architect/Engineer Approval

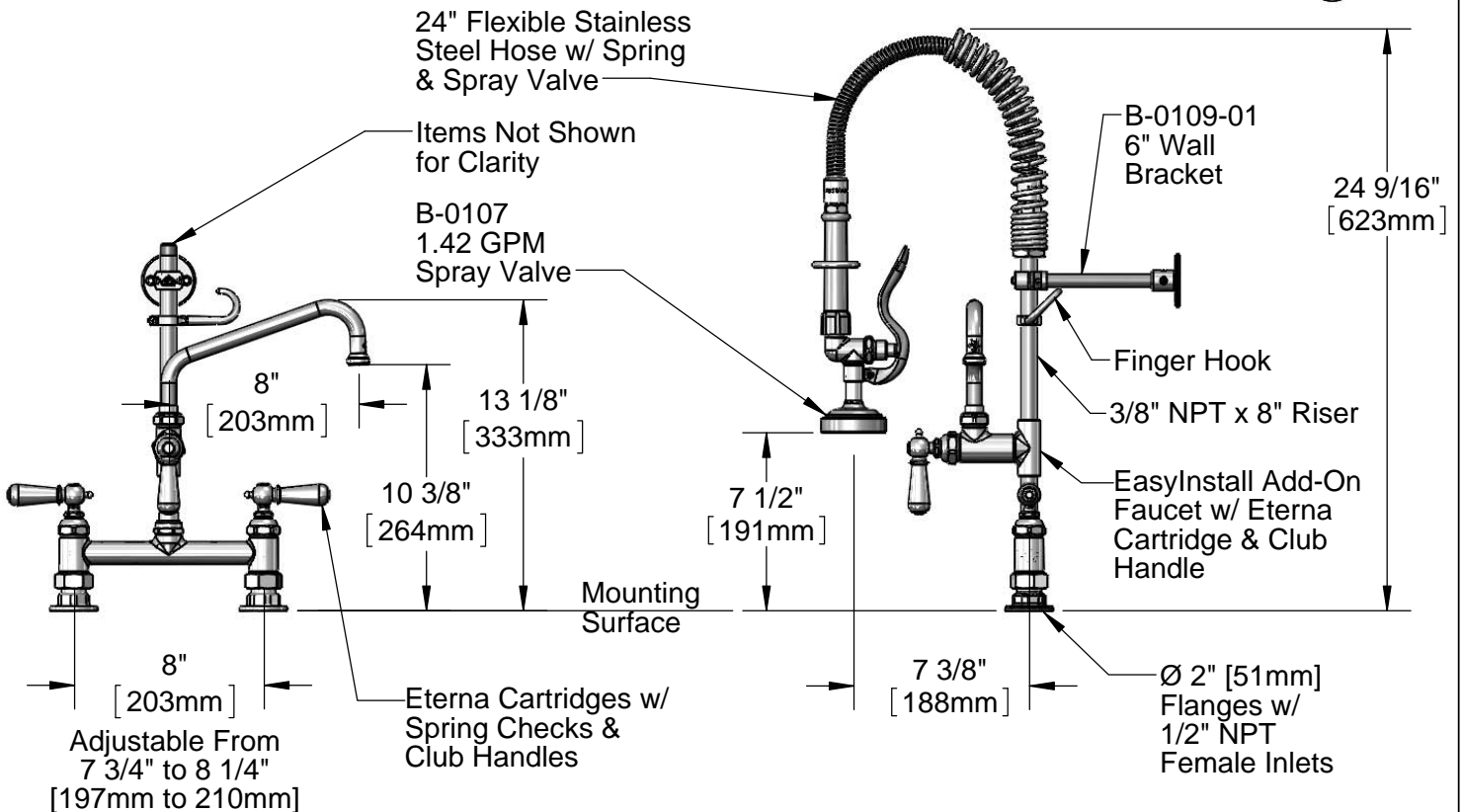
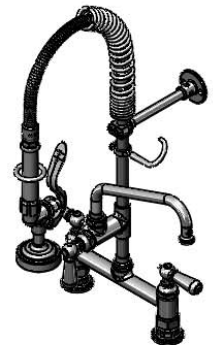
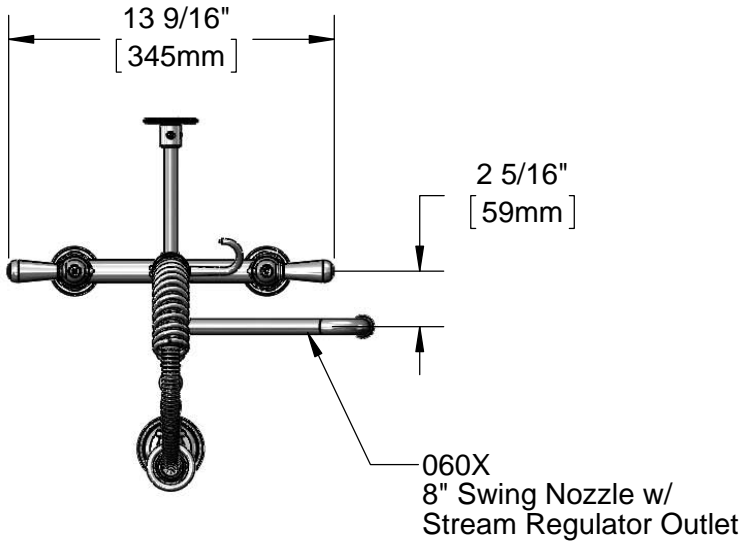
Job Name _____ Date _____

Model Specified _____ Quantity _____

Customer/Wholesaler _____

Contractor _____

Architect/Engineer _____



Product Specifications:

Easy Install Pre-Rinse Unit:
8" Deck Mount Mixing Faucet, Eterna Cartridges w/ Spring Checks, Club Handles, Add-On Faucet w/ 8" Swing Nozzle, Compact Spring, 24" Flexible Stainless Steel Hose, 1.42 GPM Spray Valve, 6" Wall Bracket & 1/2" NPT Female Inlets

Drawn

KJG

Checked

DMH

Approved

JHB

Scale:

1:8

Date:

09/19/13



T&S BRASS AND BRONZE WORKS, INC.

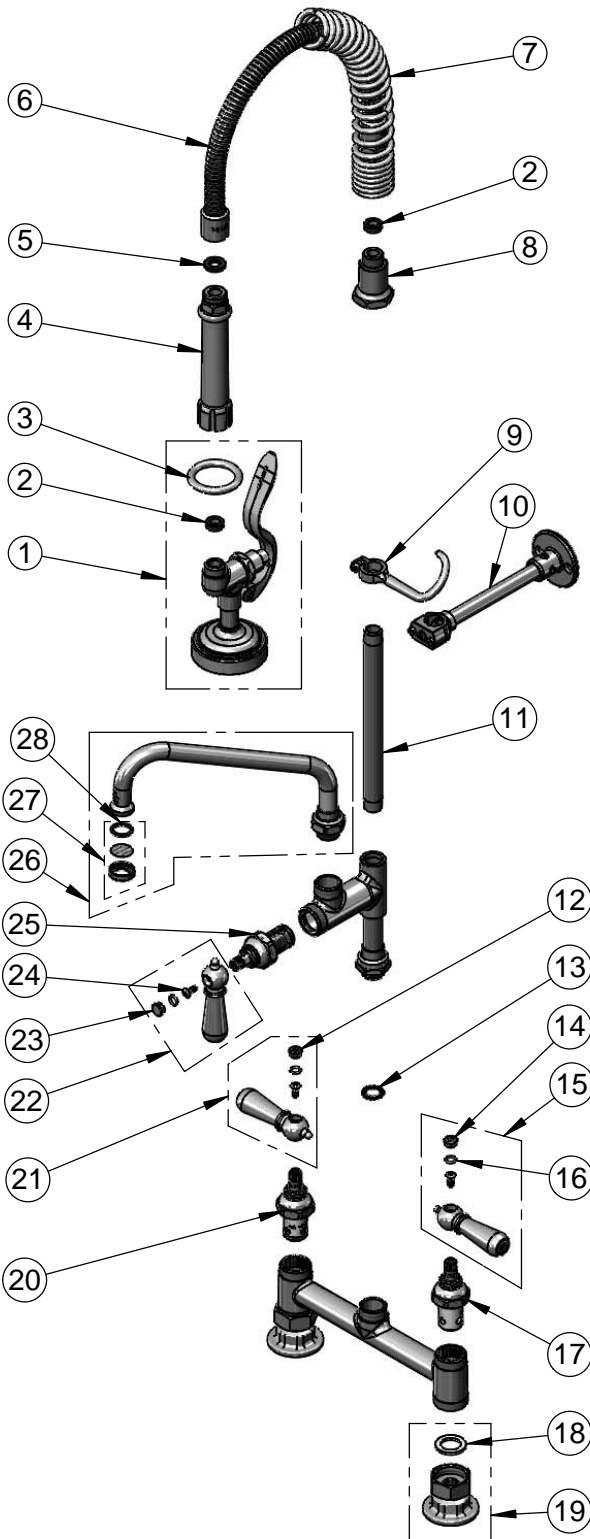
2 Saddleback Cove / P.O. Box 1088
Travelers Rest, SC 29690

Model No.

MPZ-8DCN-08

Item No.

Travelers Rest, SC: 800-476-4103 • Simi Valley, CA: 800-423-0150 • Fax: 864-834-3518 • www.tsbrass.com



ITEM NO.	SALES NO.	DESCRIPTION
1	B-0107	1.42 GPM Spray Valve
2	010476-45	#27 Washer
3	000907-45	Spray Valve Hold Down Ring
4	002987-40	Grip Handle
5	001014-45	Washer, B-0100 Hose Barrel
6	B-0024-H2A	24" Stainless Steel Flex Hose - Less Handle
7	016795-45	Compact Spring
8	000821-40	Spring Body
9	004R	Finger Hook
10	B-0109-01	6" Wall Bracket
11	078X	3/8" NPT x 8" Riser
12	009303-41	Decorative Cap Insert, Hot
13	014200-45	Star Washer, Anti-Rotation
14	009304-41	Decorative Cap Insert, Cold
15	009331-41	Decorative Club Handle, Cold
16	001066-45	O-Ring
17	012442-40	Eterna Cartridge, LTC w/ Spring Check
18	001019-45	Coupling Nut Washer
19	0AA	1/2" NPT Female Eccentric Flange
20	012443-40	Eterna Cartridge, RTC w/ Spring Check
21	009332-41	Decorative Club Handle, Hot
22	017181-41	Decorative Club Handle, Blank
23	009285-40	Cap Insert Blank
24	000922-45	Lever Handle Screw
25	005960-40QT	1/4 Turn Eterna Cartridge, RTC
26	060X	8" Swing Nozzle
27	B-PT	Stream Regulator Outlet
28	001048-45	Nozzle Tip Washer

Product Specifications:

Easy Install Pre-Rinse Unit:
8" Deck Mount Mixing Faucet, Eterna Cartridges w/ Spring Checks,
Club Handles, Add-On Faucet w/ 8" Swing Nozzle, Compact Spring,
24" Flexible Stainless Steel Hose, 1.42 GPM Spray Valve, 6" Wall
Bracket & 1/2" NPT Female Inlets

Drawn

KJG

Checked

DMH

Approved

JHB

Scale:

NTS

Date:

09/19/13