



T&S BRASS AND BRONZE WORKS, INC.
 2 Saddleback Cove / P.O. Box 1088
 Travelers Rest, SC 29690

Model No.
MPZ-8WLN-08

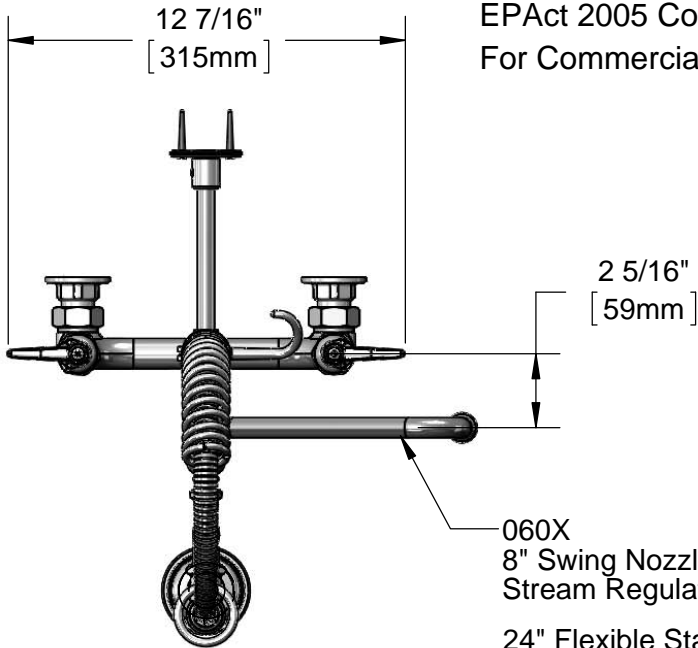
Item No.

Travelers Rest, SC: 800-476-4103 • Simi Valley, CA: 800-423-0150 • Fax: 864-834-3518 • www.tsbrass.com

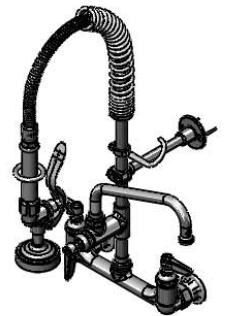
**EPA Act 2005 Compliant
 For Commercial Use Only**

This Space for Architect/Engineer Approval

Job Name _____ Date _____
 Model Specified _____ Quantity _____
 Customer/Wholesaler _____
 Contractor _____
 Architect/Engineer _____



060X
 8" Swing Nozzle w/
 Stream Regulator Outlet



24" Flexible Stainless
 Steel Hose w/ Spring
 & Spray Valve

Items Not Shown
 For Clarity

3/8" NPT x 8" Riser

B-0107
 1.42 GPM
 Spray Valve

22 1/8"
 [561mm]

Finger
 Hook

B-0109-01
 6" Wall
 Bracket

10 11/16"
 [271mm]

8"
 [203mm]

7 15/16"
 [202mm]

5 1/16"
 [129mm]

7 3/8"
 [188mm]

EasyInstall Add-On
 Faucet w/ Eterna
 Cartridge & Lever
 Handle

8"
 [203mm]

Eterna Cartridges w/
 Spring Checks &
 Lever Handles w/
 Color Coded Indexes

Adjustable From
 7 3/4" to 8 1/4"
 [197mm to 210mm]

2 3/8"
 [61mm]

2"
 [51mm]
 Flanges w/
 1/2" NPT
 Female Inlets

Mounting
 Surface

Product Specifications:

Easy Install Pre-Rinse Unit:
 8" Wall Mount Mixing Faucet, Eterna Cartridges w/ Spring Checks,
 Lever Handles, Add-On Faucet w/ 8" Swing Nozzle, Compact Spring,
 24" Flexible Stainless Steel Hose, 1.42 GPM Spray Valve, 6" Wall
 Bracket & 1/2" NPT Female Inlets

Drawn

KJG

Checked

DMH

Approved

JHB

Scale:

1:6

Date:

09/19/13



T&S BRASS AND BRONZE WORKS, INC.

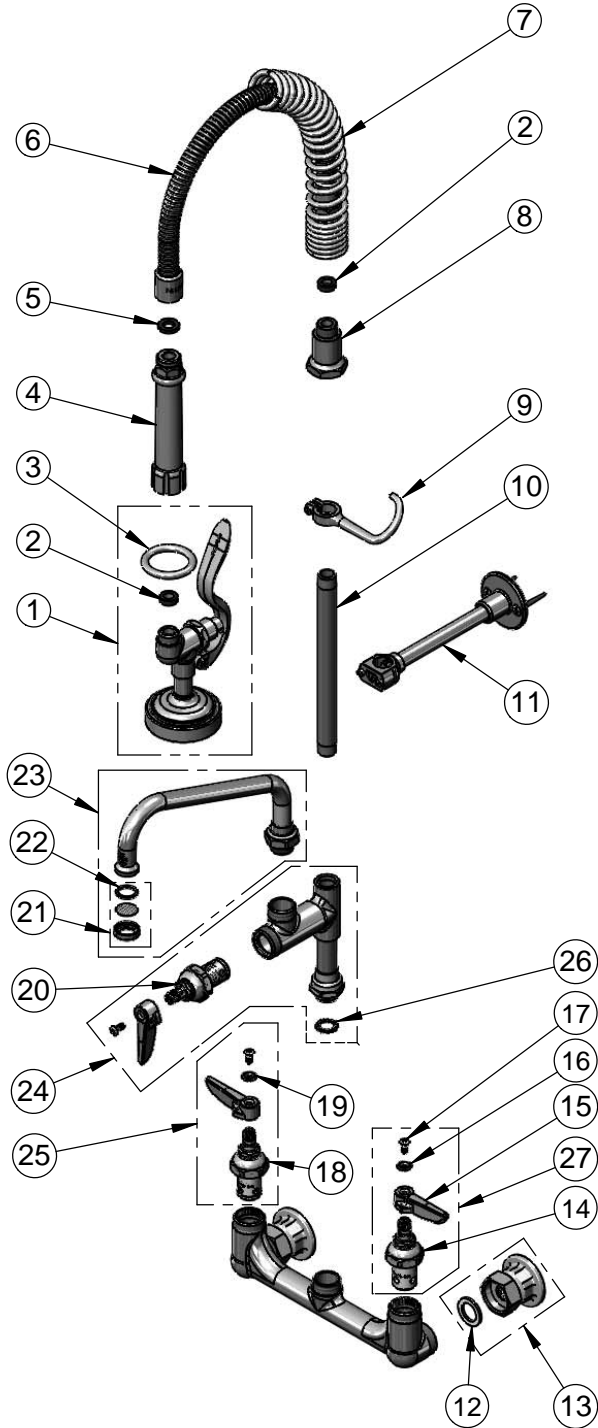
2 Saddleback Cove / P.O. Box 1088
Travelers Rest, SC 29690

Model No.

MPZ-8WLN-08

Item No.

Travelers Rest, SC: 800-476-4103 • Simi Valley, CA: 800-423-0150 • Fax: 864-834-3518 • www.tsbrass.com



ITEM NO.	SALES NO.	DESCRIPTION
1	B-0107	1.42 GPM Spray Valve
2	010476-45	#27 Washer
3	000907-45	Spray Valve Hold Down Ring
4	002987-40	Grip Handle
5	001014-45	Washer, B-0100 Hose Barrel
6	B-0024-H2A	24" Stainless Steel Flex Hose - Less Handle
7	016795-45	Compact Spring
8	000821-40	Spring Body
9	004R	Finger Hook
10	078X	3/8" NPT x 8" Riser
11	B-0109-01	6" Wall Bracket
12	001019-45	Coupling Nut Washer
13	00AA	1/2" NPT Female Eccentric Flange
14	012442-40	Eterna Cartridge, LTC w/ Spring Check
15	001638-45	Lever Handle
16	001660-45	Blue Index-CW
17	000922-45	Lever Handle Screw
18	012443-40	Eterna Cartridge, RTC w/ Spring Check
19	001661-45	Red Index-HW
20	005960-40QT	1/4 Turn Eterna Cartridge, RTC
21	B-PT	Stream Regulator Outlet
22	001048-45	Nozzle Tip Washer
23	060X	8" Swing Nozzle
24	B-0155-LNEZ	Add-On Faucet w/ 1/4 Turn Eterna Cartridge
25	002712-40	Eterna Cartridge, RTC w/ Spring Check, Handle, Index & Screw
26	014200-45	Star Washer, Anti-Rotation
27	002711-40	Eterna Cartridge, LTC w/ Spring Check, Handle, Index & Screw

Product Specifications:

Easy Install Pre-Rinse Unit:
8" Wall Mount Mixing Faucet, Eterna Cartridges w/ Spring Checks,
Lever Handles, Add-On Faucet w/ 8" Swing Nozzle, Compact Spring,
24" Flexible Stainless Steel Hose, 1.42 GPM Spray Valve, 6" Wall
Bracket & 1/2" NPT Female Inlets

Drawn

KJG

Checked

DMH

Approved

JHB

Scale:

NTS

Date:

09/19/13