

STANDARD FRY TOP

QUEST Model QGMFT & QGMFZ

The 5/8" (16 mm) thick steel plate provides even heat with fast recovery. Large internal stainless steel grease can with unique "can-within-a-can" design is sanitary and easy to maintain. Available with splashguards or flush top next to open burner section to allow easy lateral pot movement for simmering.



QGMFT 36
MODEL WITH MANUAL VALVE CONTROLS ILLUSTRATED

Product Features

- 5/8" thick mild steel fry top
- Linear factory polish, easier to clean
- Manual gas valve for each burner
- Durable cast iron burners closely spaced for more defined surface temperature zones
- Low profile 8 1/2" (216) easily incorporates into Chef Centres
- Large integral grease trough with a weep hole to indicate when full and enclosed slide to contain spillage
- Heavy duty all SS body
- Designed for general fry top use
- Good value giving great performance with low maintenance

Optional Features

- 1" thick fry top
- Specific height rear and side risers
- Thermostatic controls (Model QGMFZ)
- Front condiment rail, plating shelf or "Belly Bar"
- Knob guards
- Flexible gas connector kit
- Adjustable counter legs
- Backs 6" (152), 10" (254) or 17" (432) high

Choose the perfect type of optional base for your Quest Fry Top to suit your needs: (See separate catalog pages)



Model EST
SS Tubular Stand (with or without shelf)



Model ESA
SS Cabinet Base (with or without doors)



Model QRB
Refrigerated Drawer Base



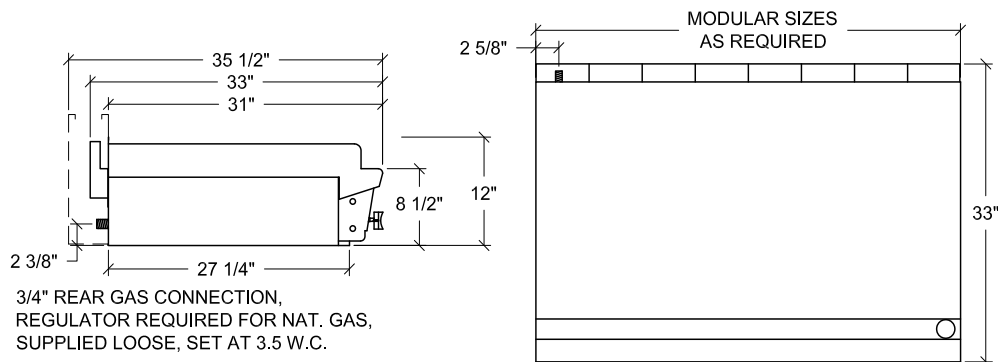
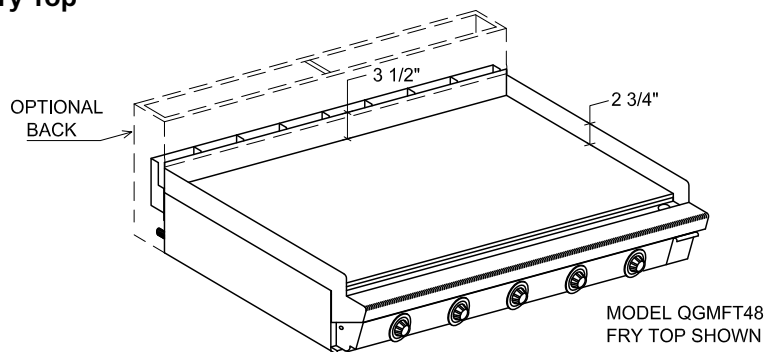
Model QGRO & QGCO
Standard and Convection Oven

"The Quest for the Best Ends at Quest"

questmetal.com

Quest

Quest- Standard Fry Top



MANUAL CONTROL				THERMOSTAT CONTROL				WIDTH (mm)	DEPTH (mm)	BODY HEIGHT (mm)	SHIPPING WEIGHT	
MODEL #	CONTROL	BTU'S	GAS LINE	MODEL #	THERM.	BTU'S	GAS LINE				LBS	KGS
QGMFT-12	1	20,000	3/4" (19)	QGMFZ-12	1	20,000	3/4" (19)	12" (305)	33" (840)	8 1/2" (216)	95	43
QGMFT-18	2	40,000	3/4" (19)	QGMFZ-18	1	40,000	3/4" (19)	18" (460)	33" (840)	8 1/2" (216)	140	64
QGMFT-24	3	60,000	3/4" (19)	QGMFZ-24	1	60,000	3/4" (19)	24" (610)	33" (840)	8 1/2" (216)	190	86
QGMFT-30	3	60,000	3/4" (19)	QGMFZ-30	1	60,000	3/4" (19)	30" (765)	33" (840)	8 1/2" (216)	235	108
QGMFT-36	4	80,000	3/4" (19)	QGMFZ-36	2	80,000	3/4" (19)	36" (915)	33" (840)	8 1/2" (216)	280	127
QGMFT-42	4	80,000	3/4" (19)	QGMFZ-42	2	80,000	3/4" (19)	42" (1070)	33" (840)	8 1/2" (216)	330	150
QGMFT-48	5	100,000	3/4" (19)	QGMFZ-48	2	100,000	3/4" (19)	48" (1220)	33" (840)	8 1/2" (216)	375	170
QGMFT-54	6	120,000	3/4" (19)	QGMFZ-54	3	120,000	3/4" (19)	54" (1372)	33" (840)	8 1/2" (216)	420	191
QGMFT-60	7	140,000	3/4" (19)	QGMFZ-60	3	140,000	3/4" (19)	60" (1524)	33" (840)	8 1/2" (216)	470	213
QGMFT-66	7	140,000	3/4" (19)	QGMFZ-66	3	140,000	3/4" (19)	66" (1677)	33" (840)	8 1/2" (216)	540	245
QGMFT-72	8	160,000	3/4" (19)	QGMFZ-72	4	160,000	3/4" (19)	72" (1829)	33" (840)	8 1/2" (216)	585	265

EXTRA THERMOSTATS OPTIONAL

Installation Notes

- Specify natural gas or propane
- Unit requires 6" (150 mm) clearance from combustible walls at back and sides
- 3/4" (19 mm) gas connection at rear (ideal for gas hose connection)
- 27" (685 mm) clearance required in front for removal of grease container



NOTE: Dimensions are accurate at time of publication but subject to change without notice. If sizes are critical consult the factory.



QUEST Metal Products Limited
889 Erin St, Winnipeg, MB R3G 2W6
Tel: 204.786.2403 Fax: 204.783.7598
Email: sales@questmp.ca

Distributed in Canada by:
Russell Food Equipment Ltd.
russellfood.ca