



Outperform every day.™

Project:  
Item Number:  
Quantity:

## WALL-MOUNT HAND SINKS



141-0C



K1410-CP



1411

Wall-Mount Hand Sinks

### DESCRIPTION

Vollrath Wall-Mount Hand Sinks are designed and built to withstand vigorous use in professional and commercial kitchens.

### ITEMS

- 141-0 2-Hole Sink
- 141-0C 2-Hole Sink with Strainer
- K1410-C 2-Hole Sink with Strainer and Gooseneck Faucet
- K1410-CP 2-Hole Sink with Strainer, Gooseneck Faucet and P-Trap
- 1411 1-Hole Sink for use with Electronic Mixing Faucet (not included)
- 1410-0 2-Hole Sink with Splash Guards
- 1410CS 2-Hole Sink with Splash Guards and Strainer
- K1410CS 2-Hole Sink with Splash Guards, Strainer and Gooseneck Faucet

### FEATURES

- Heavy-weight 20 gauge
- Type 304 stainless steel
- Brushed finish flange
- High back splash
- One-piece drawn bowl
- Positive drain - 2 inch diameter
- Includes mounting bracket
- Two holes on 4 inch centers, except 1411
- Single hole on 1411 to accommodate electronic mixing faucet
- K1410-C, K1410-CP, K1410CS include splash-mounted gooseneck faucet that has a full brass body, is AB1953 lead free compliant, and has a 2.2 GPM flow rating
- 2.2 GPM faucet

### ACCESSORIES

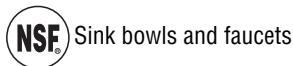
- 2613 - NSF listed splash-mounted gooseneck faucet has a full brass body, is AB1953 lead free compliant, and has a 2.2 GPM flow rating
- 2004 - Repair kit for 2613 faucet\*
- 7466 - Strainer for 2" (5.1 CM) drain\*
- 1410P - P-trap for 2" (5.1 CM) drain\*
- 14110T - 4" (10.2 CM) flanged tail piece\*

\* Not NSF.

### WARRANTY

All models shown come with Vollrath's standard warranty against defects in materials and workmanship. For full warranty details, please refer to [www.Vollrath.com](http://www.Vollrath.com).

### Agency Certifications



Due to continued product improvement, please consult [www.vollrath.com](http://www.vollrath.com) for current product specifications.

Approvals	Date



Outperform every day.™

[www.vollrath.com](http://www.vollrath.com)

### The Vollrath Company, L.L.C.

1236 North 18th Street  
Sheboygan, WI 53081-3201 U.S.A.  
Main Tel: 800.624.2051 or 920.457.4851  
Main Fax: 800.752.5620 or 920.459.6573  
Customer Service: 800.628.0830  
Canada Customer Service: 800.695.8560

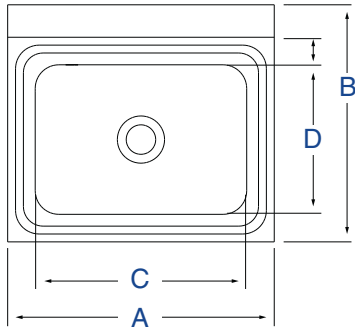
Technical Services  
[techservicereps@vollrathco.com](mailto:techservicereps@vollrathco.com)  
Induction Products: 800.825.6036  
Countertop Warming Products: 800.354.1970  
All Other Products: 800.628.0832

# WALL-MOUNT HAND SINKS

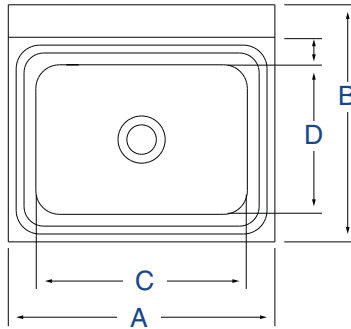
## DIMENSIONS (shown in inches (cm))

141-0 / 141-0C / K1410-C / K1410-CP /  
410-0 / 1410CS / K1410CS

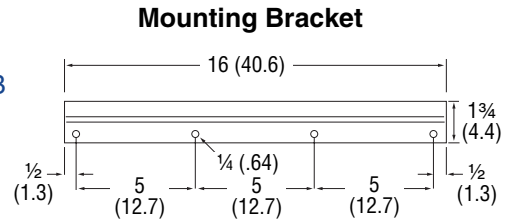
1411



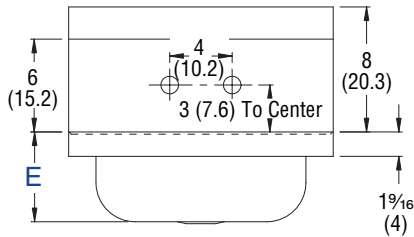
Top View



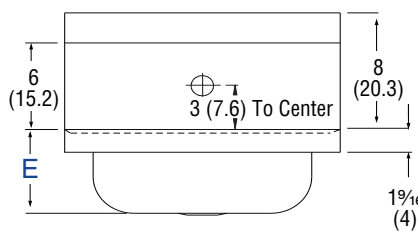
Top View



Mounting Bracket



Front View



Front View

## SPECIFICATIONS

Item Number	Description	Overall Dimension (A x B)	Bowl Diameter (C x D)	Bowl Depth (E)	Drain Dia.	Gauge	Case Lot	Case Weight Lb (Kg)
141-0	2-Hole Sink	17 x 15 (43.2 x 38.1)	13 <sup>9</sup> / <sub>16</sub> x 9 <sup>9</sup> / <sub>16</sub> (24.3 x 34.4)	5 <sup>1</sup> / <sub>2</sub> (14)	2 (5.1)	20	1	10 (4.5)
141-0C	2-Hole Sink with Strainer							10.5 (4.8)
K1410-C	2-Hole Sink with Strainer and Gooseneck Faucet							12.6 (5.7)
K1410-CP	2-Hole Sink with Strainer, Gooseneck Faucet and P-Trap							14 (6.4)
1411	1-Hole Sink for use with Electronic Mixing Faucet (not included)							10 (4.5)
1410-0	2-Hole Sink with Splash Guards							14.5 (6.6)
1410CS	2-Hole Sink with Splash Guards and Strainer							15 (6.8)
K1410CS	2-Hole Sink with Splash Guards, Strainer and Gooseneck Faucet							17.6 (8)



Outperform every day.™

[www.vollrath.com](http://www.vollrath.com)

### The Vollrath Company, L.L.C.

1236 North 18th Street  
Sheboygan, WI 53081-3201 U.S.A.  
Main Tel: 800.624.2051 or 920.457.4851  
Main Fax: 800.752.5620 or 920.459.6573  
Customer Service: 800.628.0830  
Canada Customer Service: 800.695.8560

Technical Services  
[techservicereps@vollrathco.com](mailto:techservicereps@vollrathco.com)  
Induction Products: 800.825.6036  
Countertop Warming Products: 800.354.1970  
All Other Products: 800.628.0832